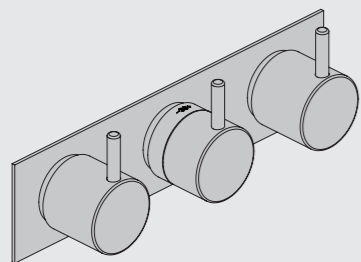


VOLA 5100, 5100X, 5200V, 5300
 VOLA 5400DV, 5400V, 5400NV & A3/A4
 VOLA 5400TV, 5400FV, 5400RV & A3/A4
 VOLA 5600V & A3/A4



Fitting instruction
 Montageanleitung
 Monteringsvejledning

Monteringsvægledning
 Montage hanledning
 Manuel de montage



www.vola.com

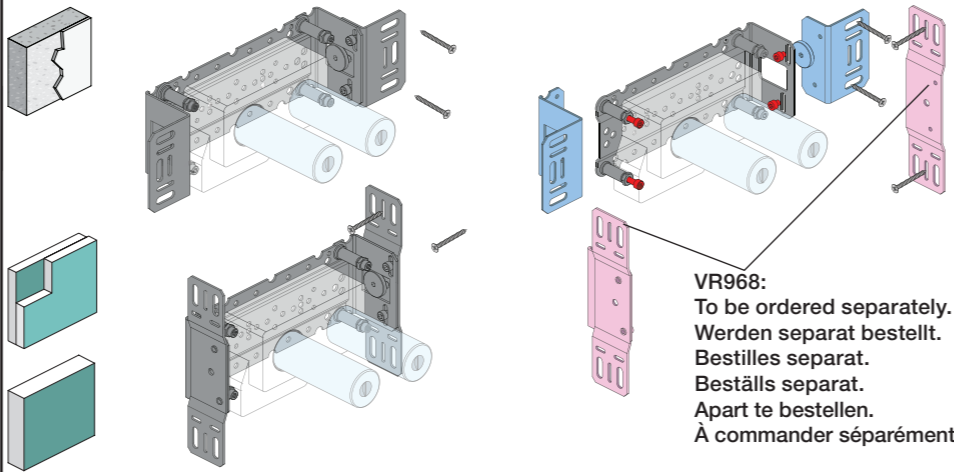
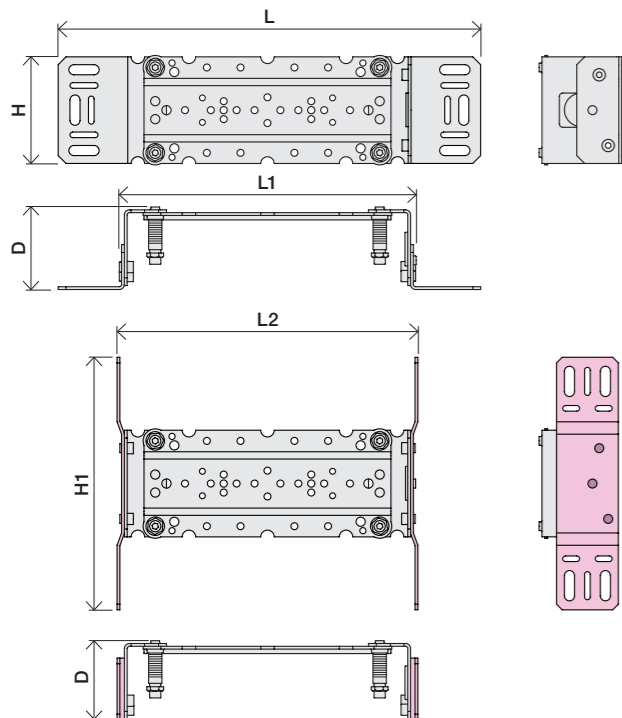
5000_V4_40998504
 04-01-2023

vola



5 705230 287317

| | L | L1 | L2 | H | H1 | D |
|------------------------------------|-------------------|-------------------|-------------------|-----------------|------------------|-----------------|
| 5400DV | 377 mm 14 3/4" | 260 mm 10" | 268 mm 10 1/2" | 95 mm 3 3/4" | 186 mm 7 3/8" | 70 mm 2 3/4" |
| 5100, 5200V, 5300, 5400V, 5600V | 475 mm 19 3/4" | 355 mm 14" | 367 mm 14 1/2" | | | |
| 5100X, 5400NV, 5400TV | 552 mm 21 3/4" | 435 mm 17" | 447 mm 17 5/8" | | | |
| 5400FV, 5400RV | 630 mm 25 1/2" | 514 mm 20 3/8" | 522 mm 20 1/2" | | | |



VR968:
 To be ordered separately.
 Werden separat bestellt.
 Bestilles separat.
 Apart te bestellen.
 À commander séparément.

A Max.: 10 Bar/145 psi
 Max. 65°C, 150°F

USA - For use with showerheads rated at 5.7 L/min. (1.5 gpm.) or higher.

AUS - Hot water inlet: Max. 50°C, 122°F. (AS 4032)

Data, l/min. / (Gpm) 3 Bar/43.5 Psi:

5100/5200V/5300: **A** 5400/5600A3: **A** - **C**

5400/5600: **A** - **B** 5400/5600A4: **A** - **D**

| 5400 5600 | 5400A3 5600A3 | 5400A4 5600A4 | A | M | B | M | C | M | D |
|--------------|------------------|------------------|----------|----------|----------|----------|----------|----------|----------|
| 2 | 2 | 2 | 32/(8.5) | 16/(4.2) | - | - | - | - | - |
| 3 | 3 | 3 | - | - | 32/(8.5) | 16/(4.2) | - | - | - |
| - | Out 3 | Out 3 | - | - | - | 32/(8.5) | 16/(4.2) | - | - |
| - | - | Out 4 | - | - | - | - | - | 16/(4.2) | 32/(8.5) |

B Check the local legislation.
 Bitte die örtlichen Vorschriften überprüfen.
 Tjek de lokale regler.
 Kontrollera lokala föreskrifter
 Nazitten lokale regelgeving.
 Vérifiez la législation locale.

**!DO NOT!
 !REMOVE!**

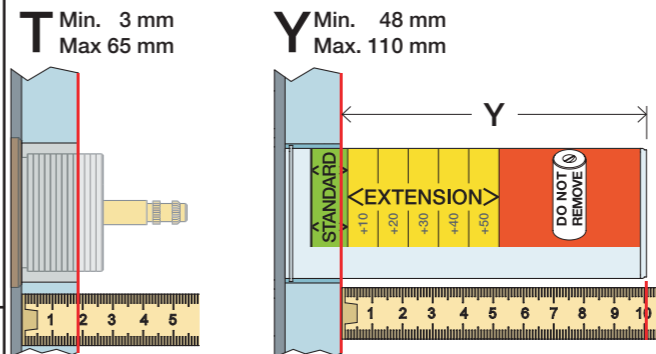
C DE:
 Bitte separat beiliegende Anleitung für die Schallentkopplung VR972 beachten

D

Box till inbyggnadsblandare.
 Boks til inbyggningsblandere.
 Laatikko seinäasenteiselle sekoittajalle.

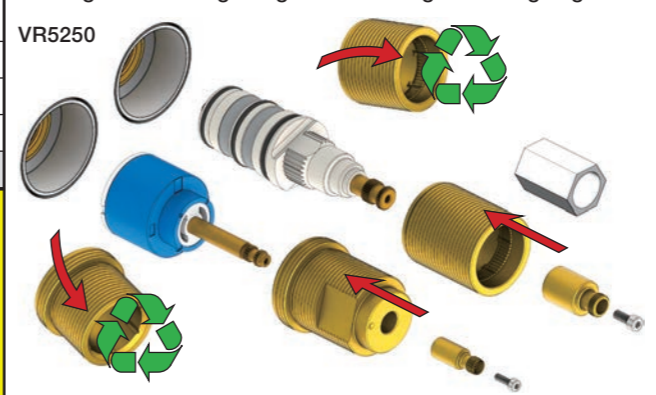
Ingår inte i leveransen, köps separat.
 Ikke inkludert, kjøpes separat.
 Eivät sisälly tilaukseen, ostettava erikseen.

Extension
 Verlängerung
 Forlængerdele
 Förlängning
 Aanpassing
 Modification

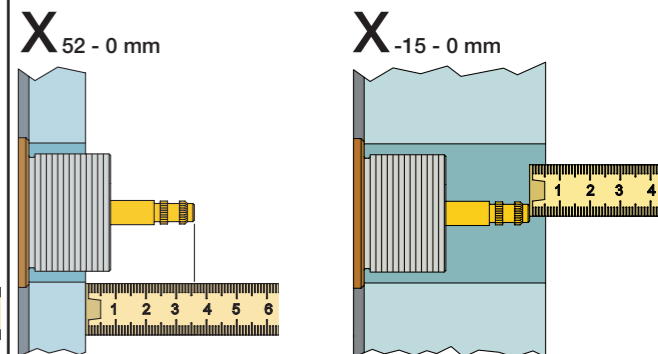


| | T | Y | VR5250/VR5410/VR2019 |
|--|------------|-------------|----------------------|
| | 3 - 15 mm | 110 - 98 mm | Std. |
| | 15 - 25 mm | 98 - 88 mm | +10 |
| | 25 - 35 mm | 88 - 78 mm | +20 |
| | 35 - 45 mm | 78 - 68 mm | +30 |
| | 45 - 55 mm | 68 - 58 mm | +40 |
| | 55 - 65 mm | 58 - 48 mm | +50 |

Fitting of extension
 Montage von verlängerung
 Montering af forlængerdele
 Montering av förlängning

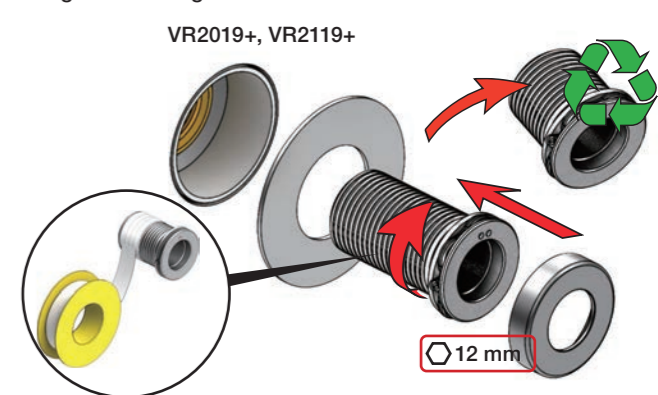


Extension, retrofit
 Verlängerung, nachträglicher Einbau
 Forlængerdele, eftermontering
 Förlängning, eftermontering
 Aanpassing na montage
 Modification après installation



| | X | VR5250/VR5410/VR2019 |
|--|-------------|----------------------|
| | 37 - 49 mm | Std. |
| | 27 - 37 mm | +10 |
| | 17 - 27 mm | +20 |
| | 7 - 17 mm | +30 |
| | -3 - 7 mm | +40 |
| | -13 - -3 mm | +50 |

Montage van de verlengstukken
 Montage des rallonges



VR5410

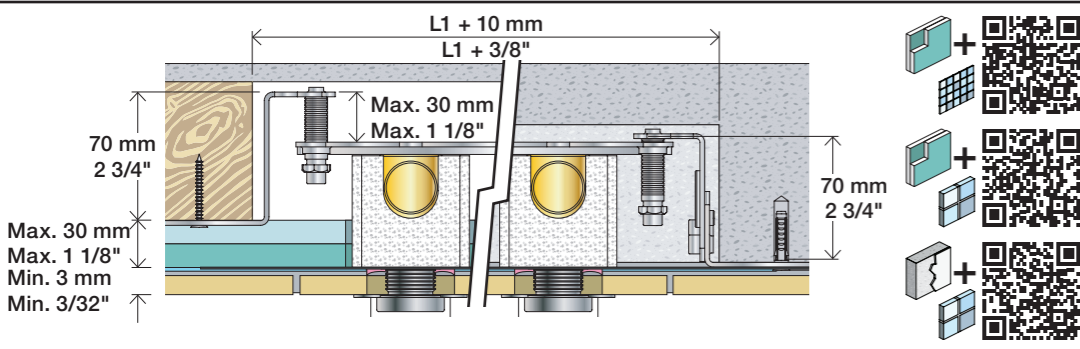
5400:
5600:

5400A3/A4:
5600A3/A4:

5400/5600: 5400A3/ 5600A3: 5400A4:

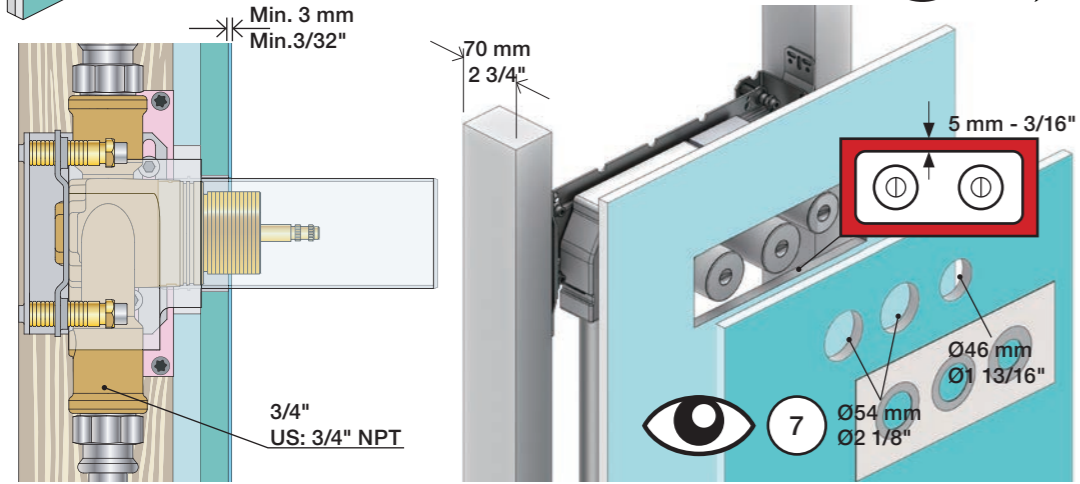
5600A4:

VR5411



2x13 mm Lightweight wall
 Leichtwand
 Let væg

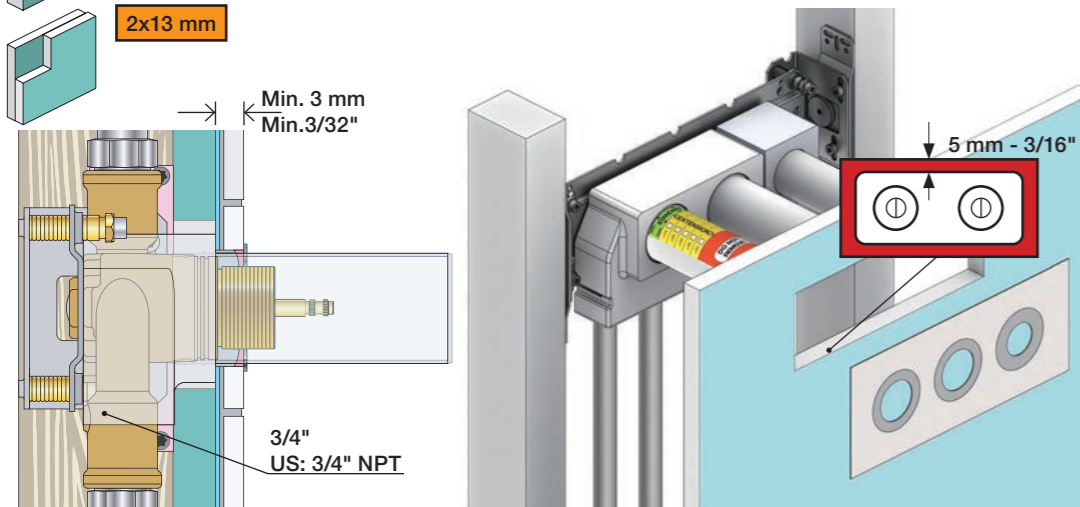
Lätta konstruktion
 Holle wandconstructie
 Construction légère



1x15 mm
1x18 mm
1x20 mm

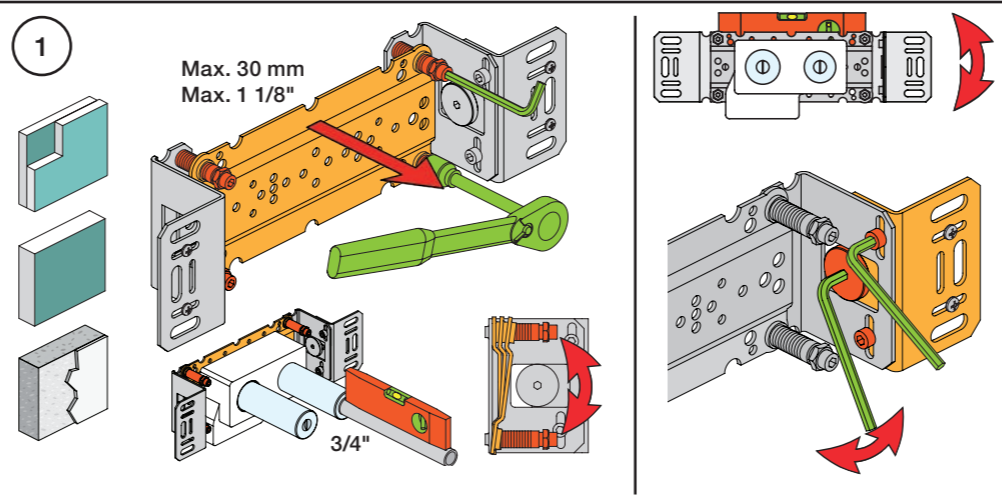
Lightweight wall
 Leichtwand
 Let væg

Lätta konstruktion
 Holle wandconstructie
 Construction légère



Masonry
 Mauerwerk
 Murverk

Murverk
 Massieve wand
 Mur Plein



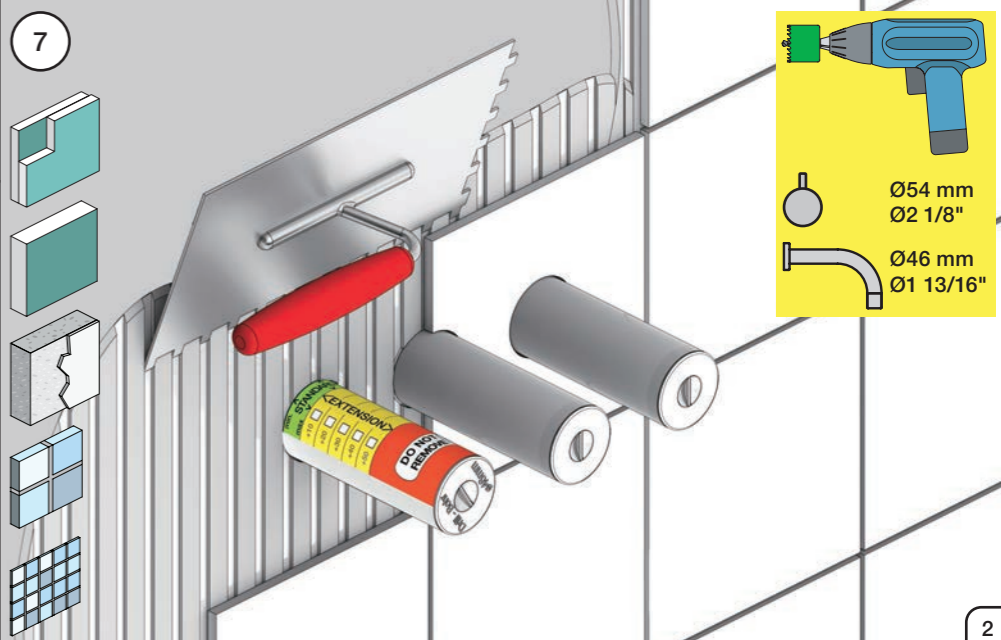
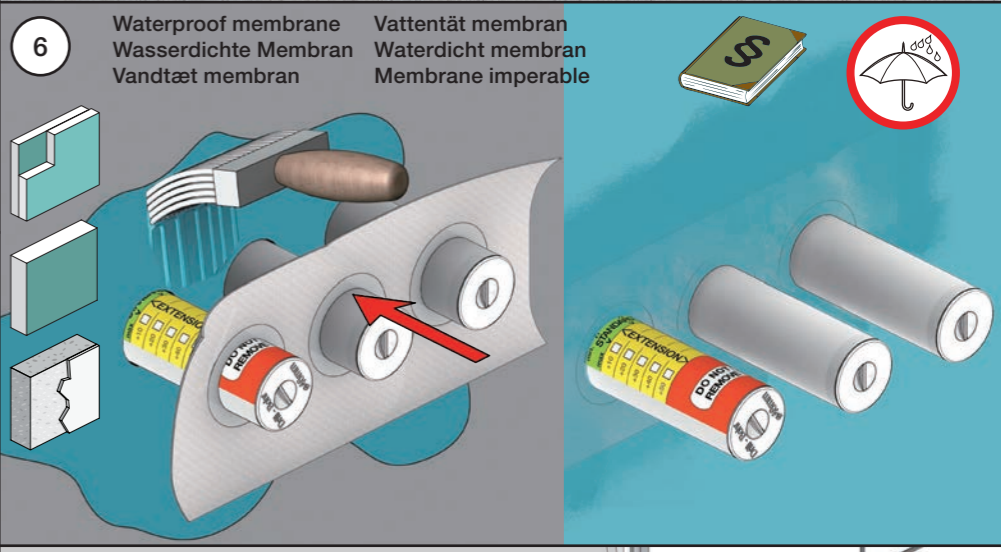
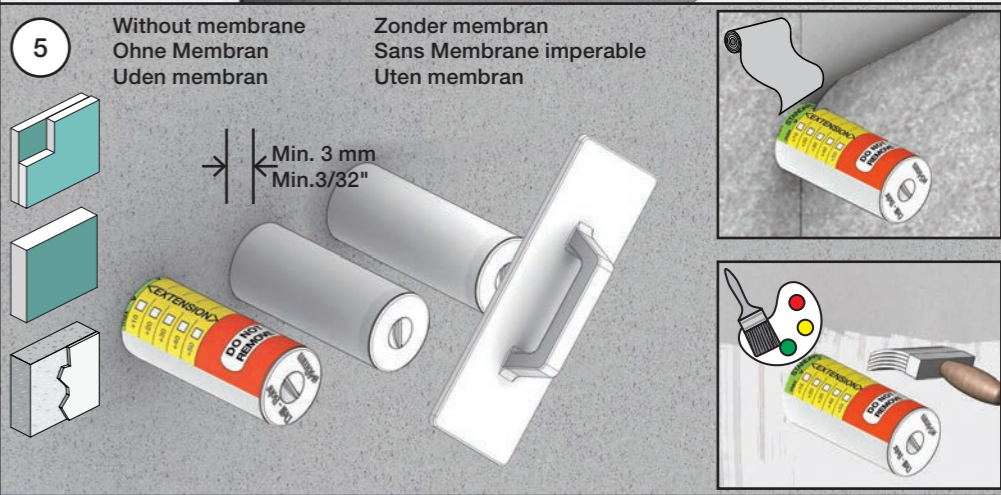
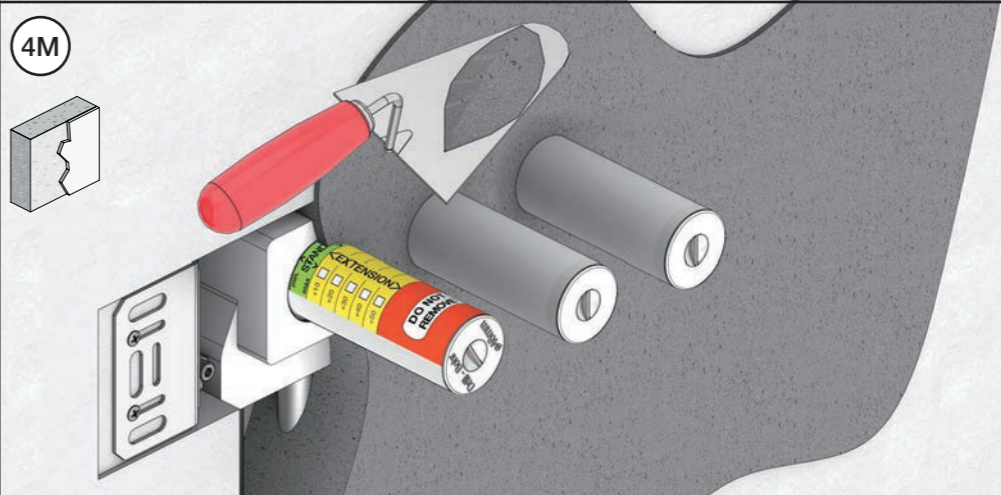
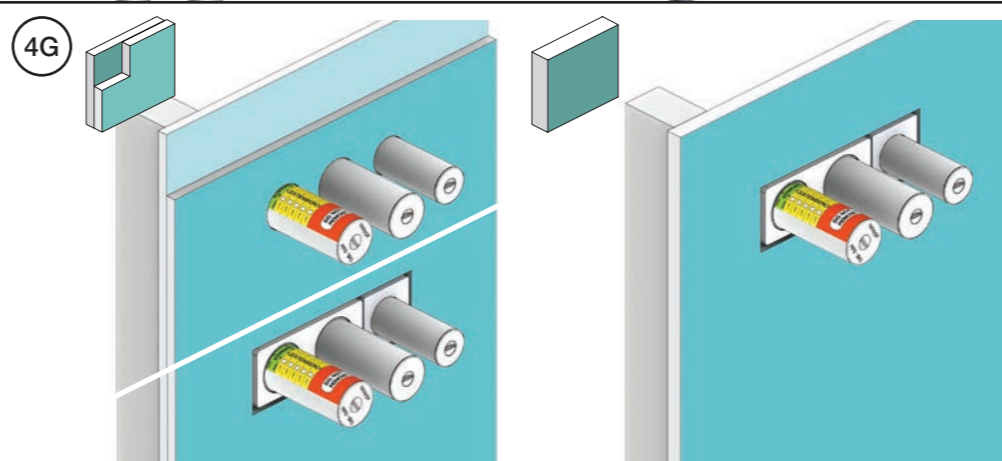
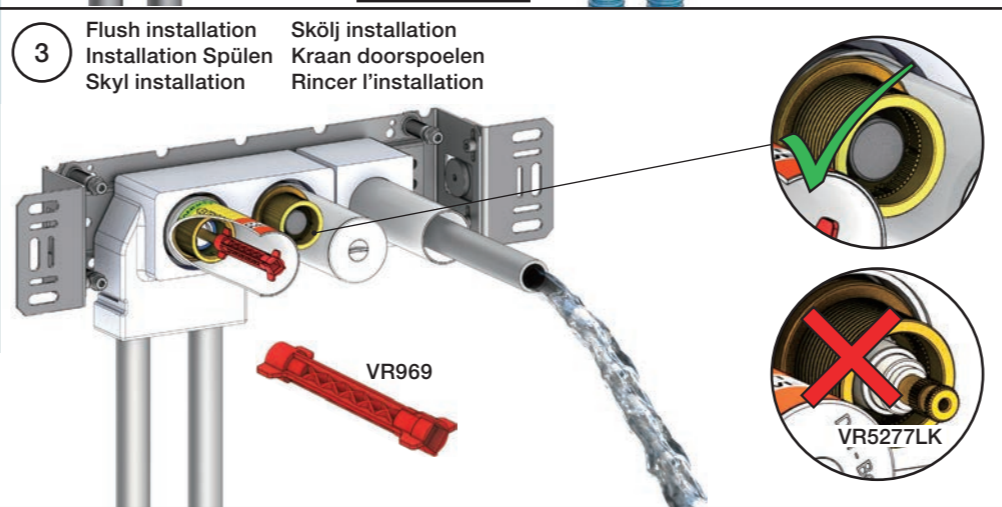
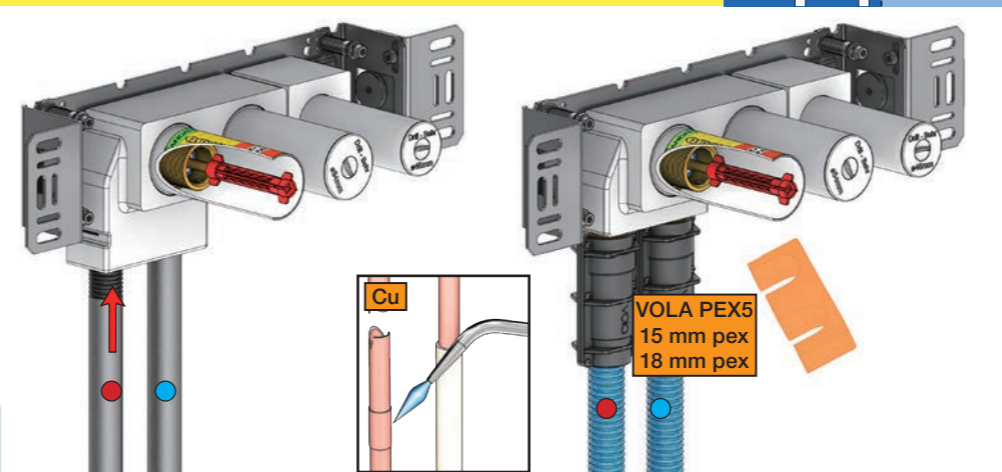
2 Test Pressure
 Prüfdruck
 testtryk
 Test tryk
 Test druk
 test de pression

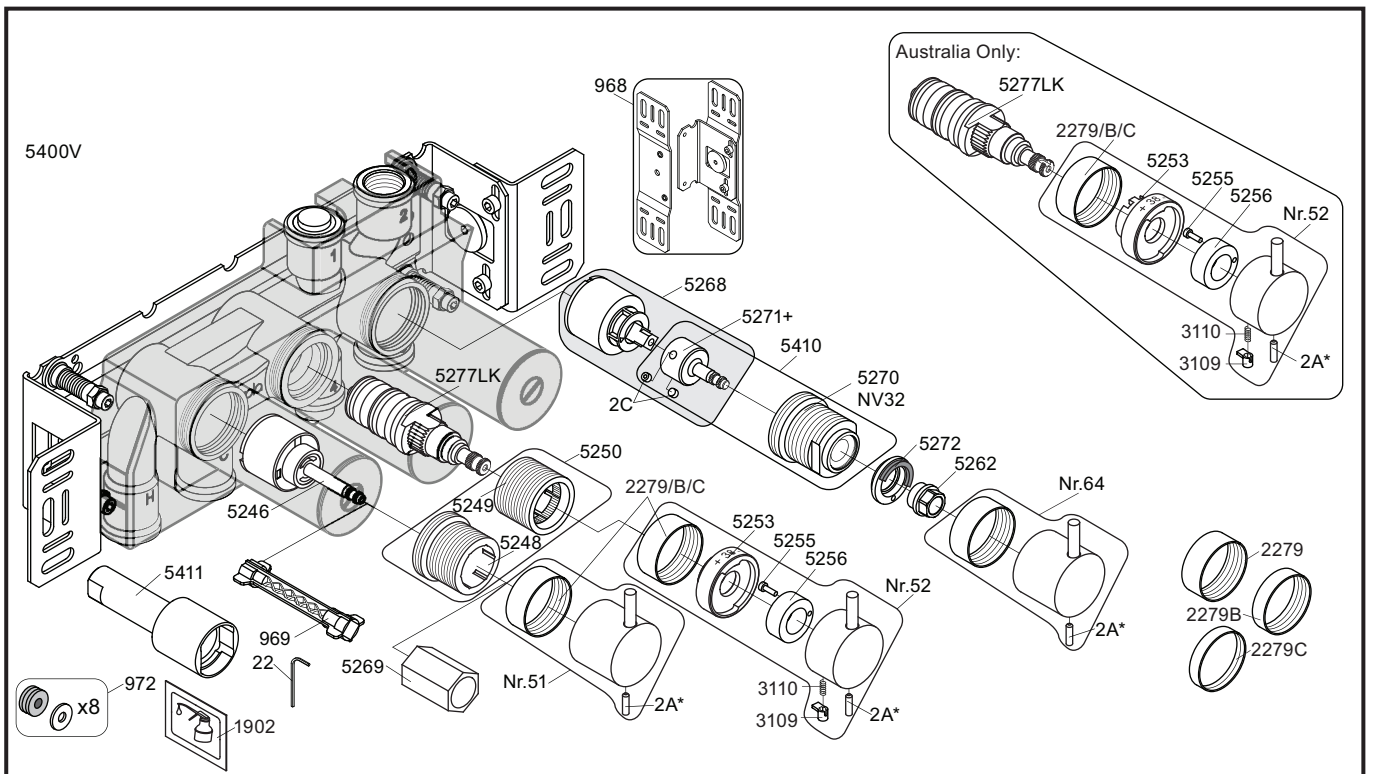
Check the local legislation.
 Bitte die örtlichen Vorschriften überprüfen.
 Tjek de lokale regler.
 Kontrollera lokala föreskrifter.
 Nazitten lokale regelgeving.
 Vérifiez la législation locale.

1. MAX. 16 Bar
 232 Psi

2. MAX. 4 Bar
 58 Psi

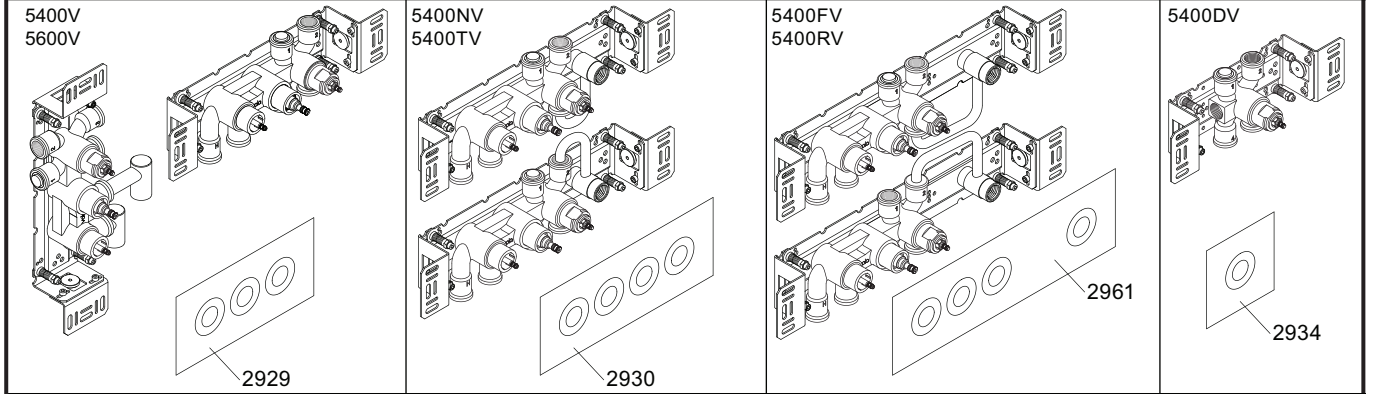
! Water - Wasser - Vand - Vatten - Water - Leau !
! MAX 1 Minute - Minut - Minuut !





| | | | | |
|--|--|--|--|--|
| | | | | <p>2A* Color</p> <p>VR2A-Steel: Standard VR2A-F60: F17-F27-F60 VR2A-F63: F63-F64 VR2A-F65: F19-F65-F70</p> |
|--|--|--|--|--|

| | |
|---|--|
| <p>NR51: NR52: NR64: VR3113: VR5250+: VR5250AUS+: VR5257+: VR5258+: VR5268+: VR5410+:</p> | <p>VR5251, VR2279+B+C, VR2A VR2A, VR5252, VR5253, VR5255, VR5256, VR2279+B+C, VR3113, VR2A VR5251, VR2279+B+C, VR2A VR3109, VR3110, VR5255 VR5248+, VR5249+, VR5257, VR5258, VR5259, VR5260 VR5248+, VR5249+, VR5257, VR5258, VR5259, VR5260, VR5275 VR5257+, VR5259+ VR5258+, VR5260+ 2xVR2C, VR1902, VR5268, VR5271+ 2xVR2C, VR5270+, VR5271+</p> |
|---|--|



| | | | |
|----------------------------|---------------------------------|---------------------------------|-------------------------|
| <p>5003B</p> <p>3x2001</p> | <p>5004B</p> <p>3x2001, 001</p> | <p>5004L</p> <p>3x2001, 001</p> | <p>5001</p> <p>2001</p> |
|----------------------------|---------------------------------|---------------------------------|-------------------------|

| | | |
|--|---|----------------------------------|
| <p>vola Lunavej 2 DK-8700 Horsens Tlf : + 45 7023 5500 sales@vola.com www.vola.com</p> | <p>VOLA 5400V 5400FV, 5400NV 5400RV, 5400TV 5600V</p> | <p>Date May 22</p> |
| | | <p>Rev. 6</p> |
| | | <p>Sheet SB 10.54</p> |