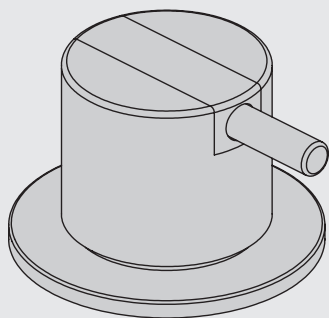


VOLA 500, 590, 500T1
 VOLA 2500
 VOLA SC1, SC3, SC5, SC7, SC9, SC10, SC12

Fitting instruction
 Montageanleitung
 Monteringsvejledning
 Monteringsvægledning
 Montage hanleiding
 Manuel de montage



04/00027
 04/00038



www.vola.com
 500 - 2500_V0_40998137
 02-10-2023

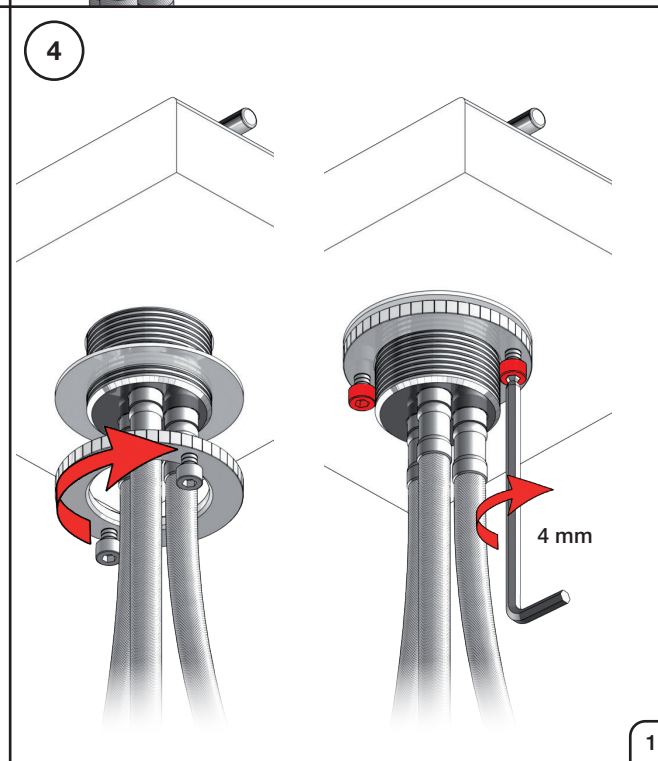
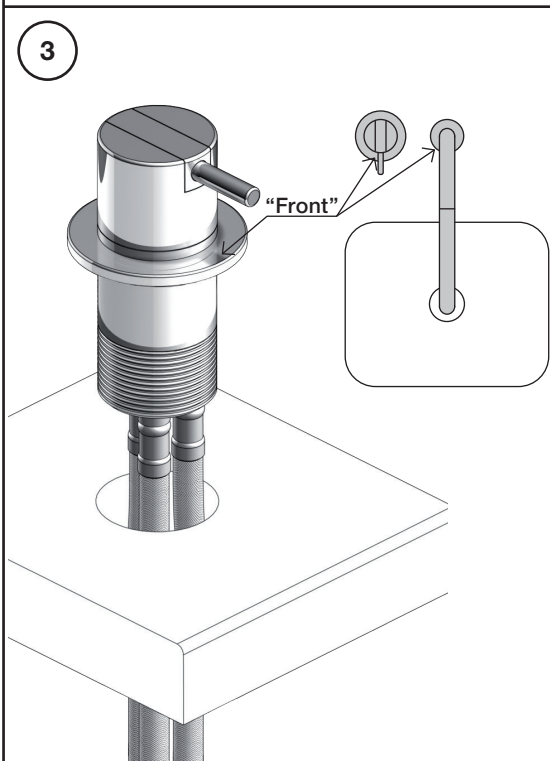
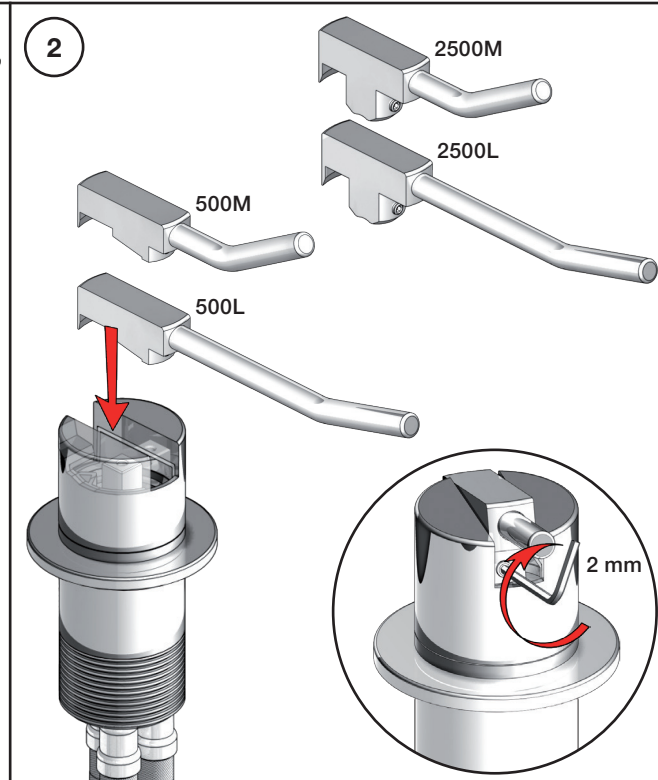
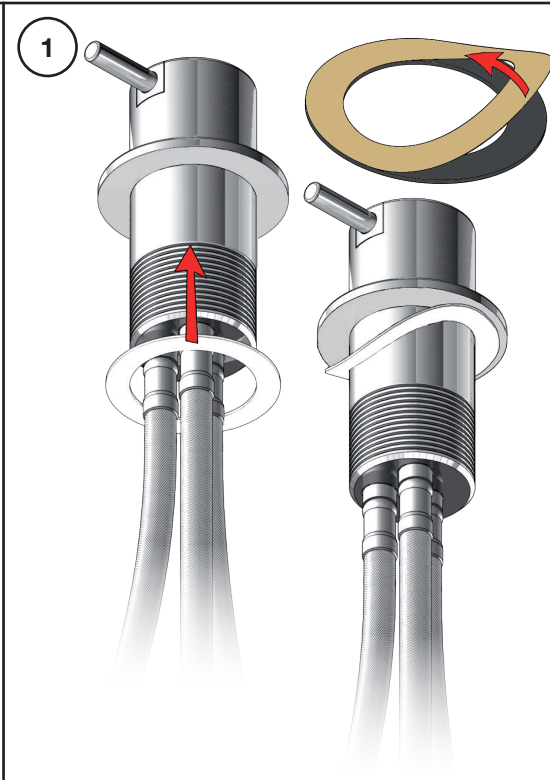
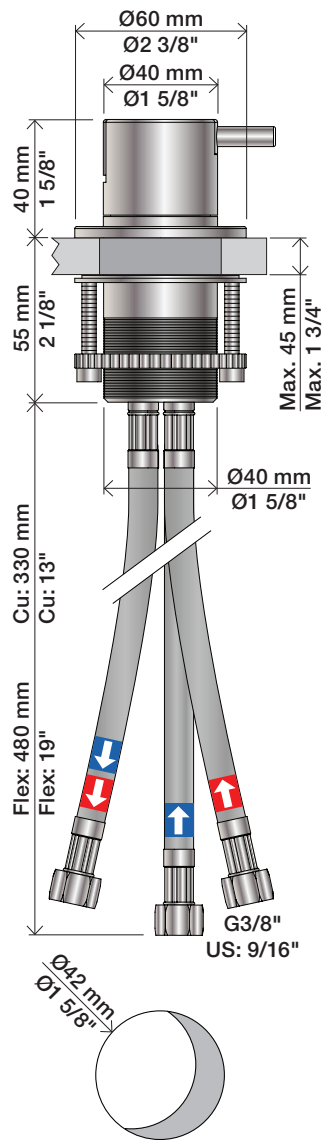


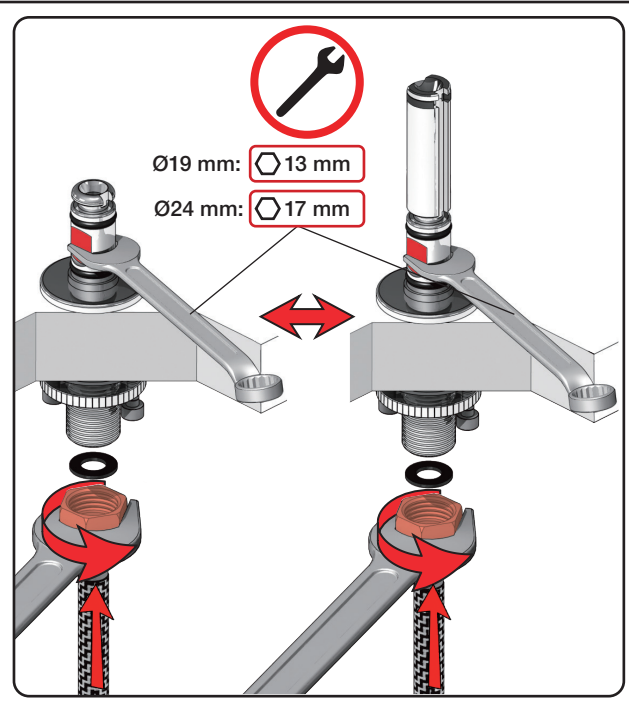
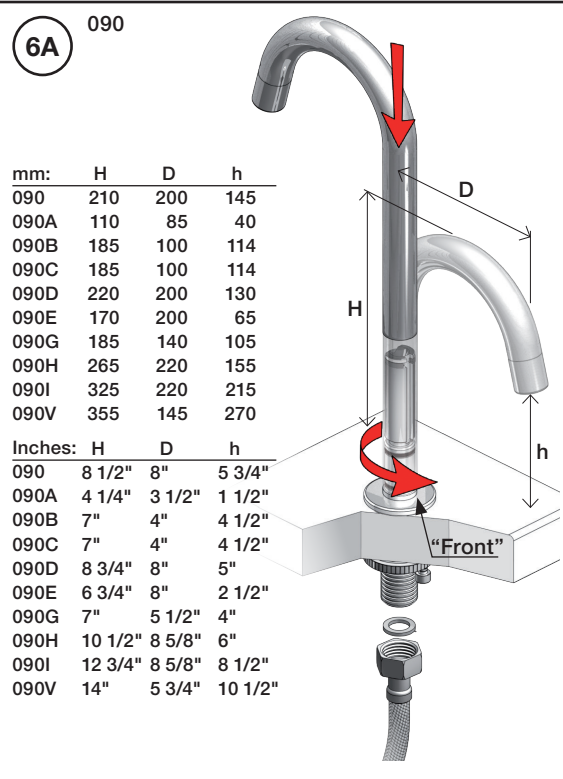
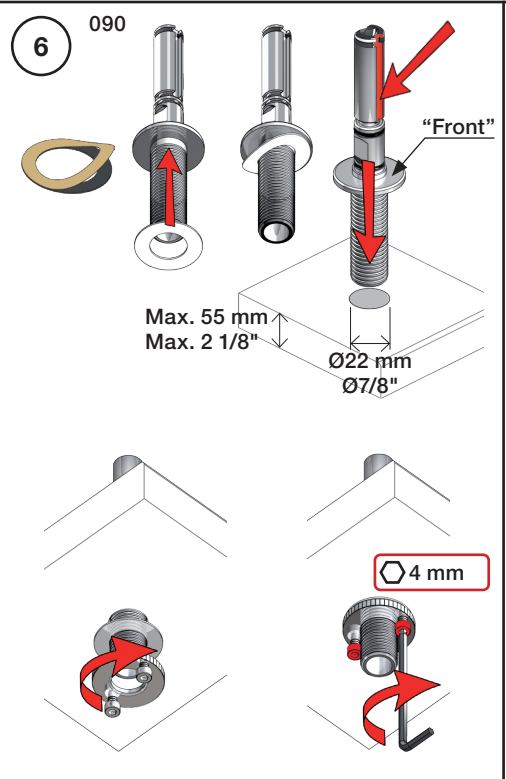
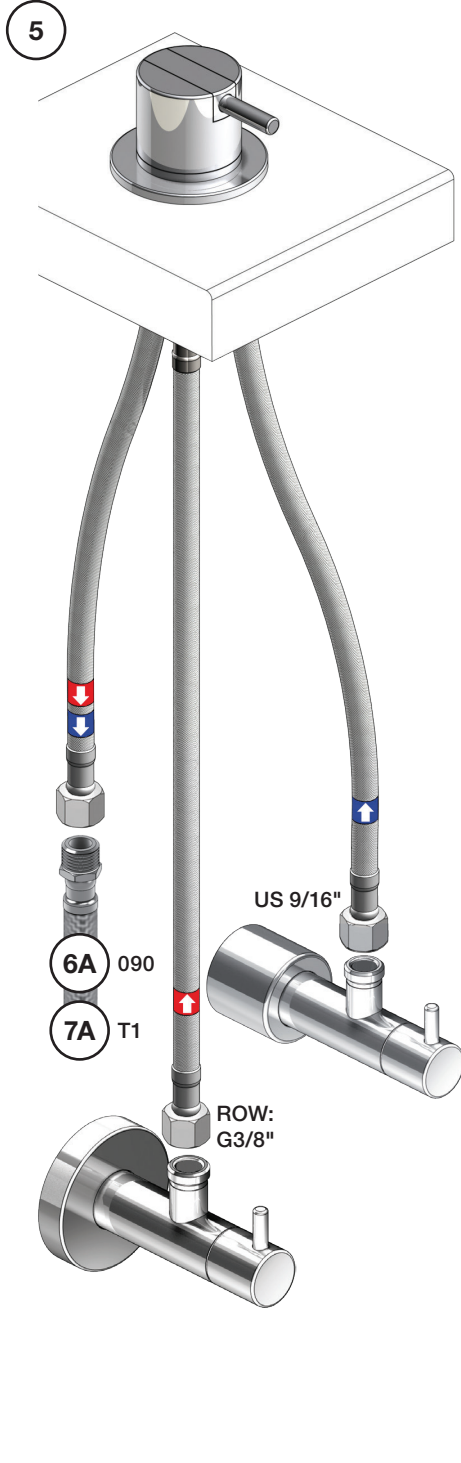
Data, 3 Bar /43.5 Psi:

	l/min.	Gal/min.
500:	14,5	3,8
590:	9,0	2,4
500-T1:	11,0	2,9
2500:	18,7	4,9
SC1:	18,7	4,9
SC5, 7:	18,0	4,8
SC9:	11,0	2,9

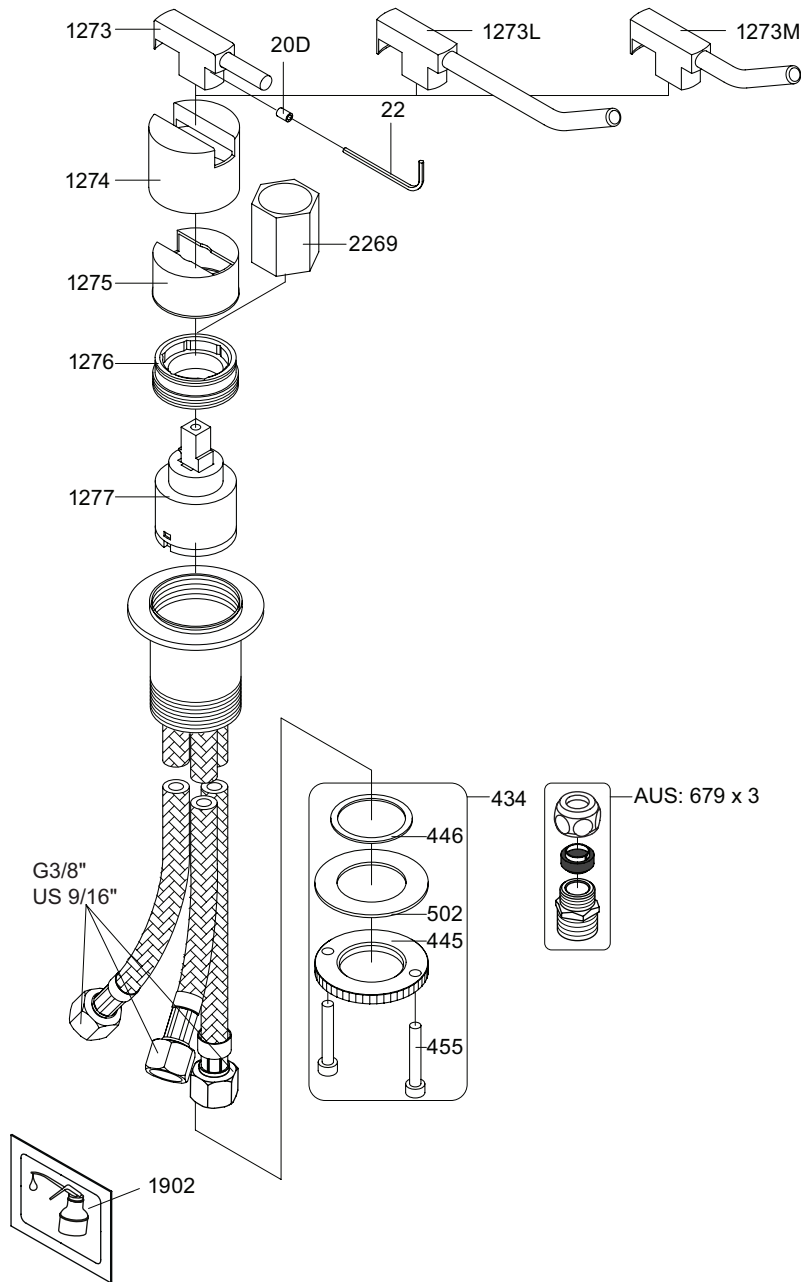
Max. 65°C, 150°F

500/2500:

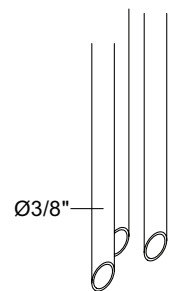




2500:



500: Ø10
500US: Ø3/8"



- VR1277K: VR22, VR2269, VR1277
- VR434: 2xVR455, VR445, VR446, VR502
- NR.11: VR20, VR22, VR1273, VR1274, VR1275



vola
Lunavej 2
DK-8700 Horsens
Tlf : + 45 7023 5500
sales@vola.com
www.vola.com

VOLA 2500, SC1

Date
Jan. 23

Rev.
4

Sheet
SB 10.15