

vola®

VOLA Round Series.
Discreetly efficient. Visibly VOLA.





Our waste bin and paper tissue dispenser may be new, but they follow a longstanding principle. Demonstrating how we relish change while respecting continuity, they're based on the classic VOLA design. As always, in keeping with our design principles, the technical parts are hidden from view.

The first products in the new VOLA Round Series, the bathroom waste bin and paper tissue dispenser, are designed for the bathrooms of prestigious houses and luxury apartments and can be specified for washrooms in hotels, restaurants, office buildings and cultural destinations such as galleries, museums and theatres.



Together, the new additions to our range show that new ideas combined with lasting values can create a balance between revolution and evolution. More practically, they confirm that bathrooms and washrooms can now be totally VOLA.

No compromise. Nothing but VOLA.

Built-in/flush paper tissue dispenser and waste bin finished in white with chrome ring surround.



Pure, 100% VOLA.

The design of the Round Series is centred on the circle, a key feature of the VOLA design. Never ending, the circle points in all directions, creating a visually strong element in the room.

Based on the classic VOLA design, the new products translate the circle into new dimensions, with a ring enclosing a cylinder. This ring is finished in high polished chrome, natural brass, brushed chrome, brushed stainless steel or 14 different colours, combined with white or black fronts.

For larger projects, the fronts can be supplied in any colour and the fronts can be changed to an alternative colour in later renovations.

The end result is a series of products creating a reference point to the VOLA taps and accessories in the room.

True to tradition, the VOLA Round Series waste bin is unobtrusive, with the less aesthetically pleasing elements built into the wall. It can be opened by gently pushing the front with a hand or knee. The open/close mechanism is smooth and silent. The built-in waste bin, VOLA RS1, holds up to 30 paper tissues.

The bin is easy to empty and with no floor contact, need not be moved for cleaning.





Alternative mounting of built-in waste bin into pillars on either side of the wash basins.



Far left:
The waste bin can be mounted near floor level for use as a sanitary towel bin.

Left:
Alternative mounting of built-in waste bin into each side of the wooden decktop.



The retrofit version of the VOLA waste bin is as elegant as the built-in bin. Creating the same harmonious interior design, it fulfils its function in a discreet, stylish way. This small retrofit waste bin, VOLA RS3, holds up to 90 paper tissues.

Retrofit waste bin finished in white with brushed steel ring surround.









Based on the classic VOLA design, the paper tissue dispenser, RS2, has a stainless steel rim enclosing a cylinder built into the wall. The cylinder, holding up to 100 paper tissues, is white plastic with a silky -soft, smooth surface. A concealed spring makes sure the tissues are always pushed to the front.

The products of the new VOLA Round Series are suitable for locations where total cohesion between architecture and design must be achieved. These important places include washrooms in hotels, restaurants, office buildings and cultural destinations such as galleries, museums and theatres.

Built-in/flush paper tissue dispenser finished in white with chrome ring surround and retrofit waste bin finished in white with chrome ring surround.

The VOLA Round Series for the corporate washroom

The large retrofit waste bin, VOLA RS4,
holds up to 250 paper tissues.



Built-in/flush paper tissue dispenser finished in black with brushed steel ring surround and large retrofit waste bin finished in black with brushed steel ring surround.



Washroom staff can easily see if the dispenser needs refilling and new paper tissues can be simply inserted by pulling the cylinder forward.

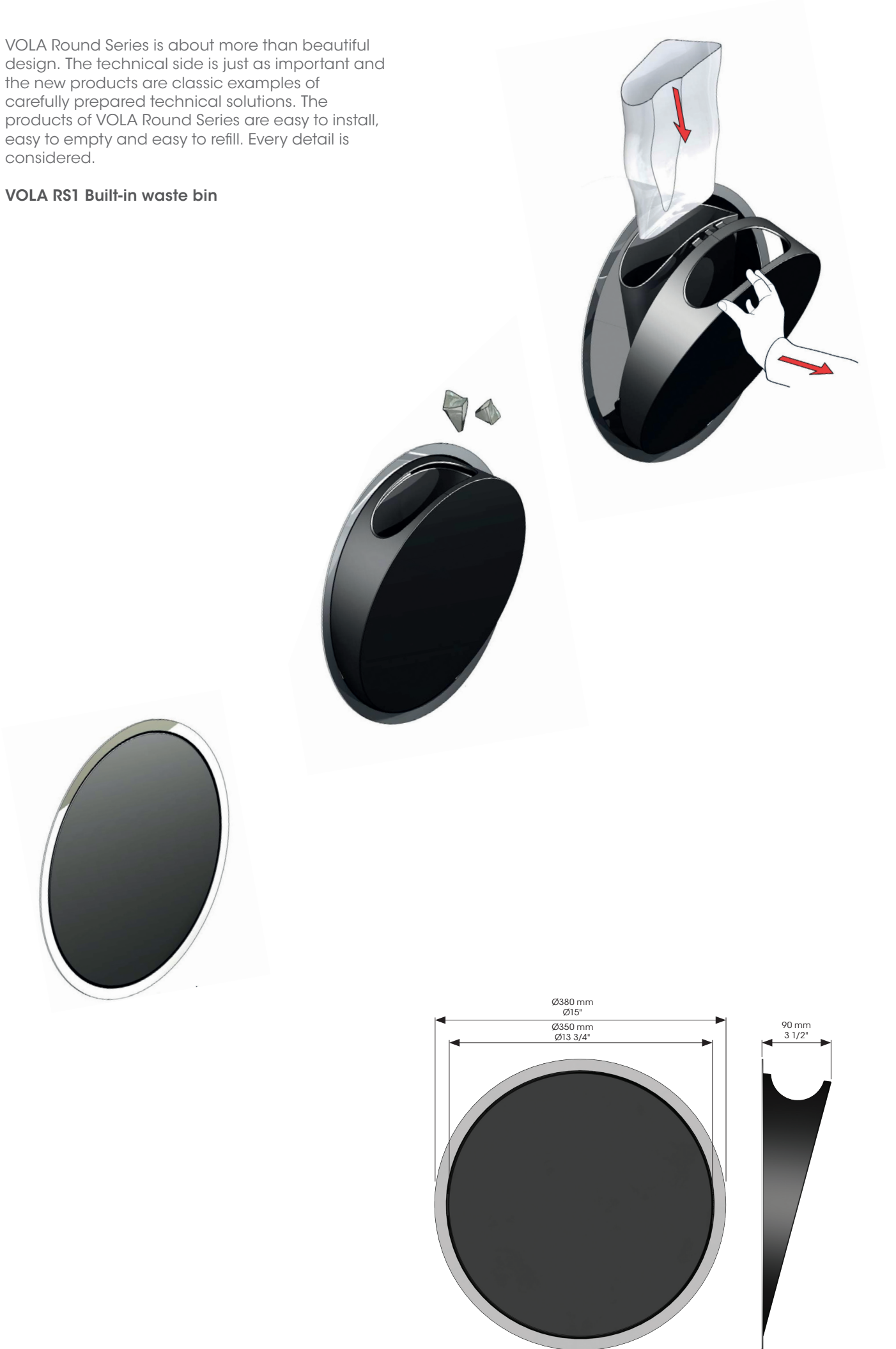
Built-in/flush paper tissue dispenser finished in black with brushed steel ring surround and large retrofit waste bin finished in black with brushed steel ring surround.



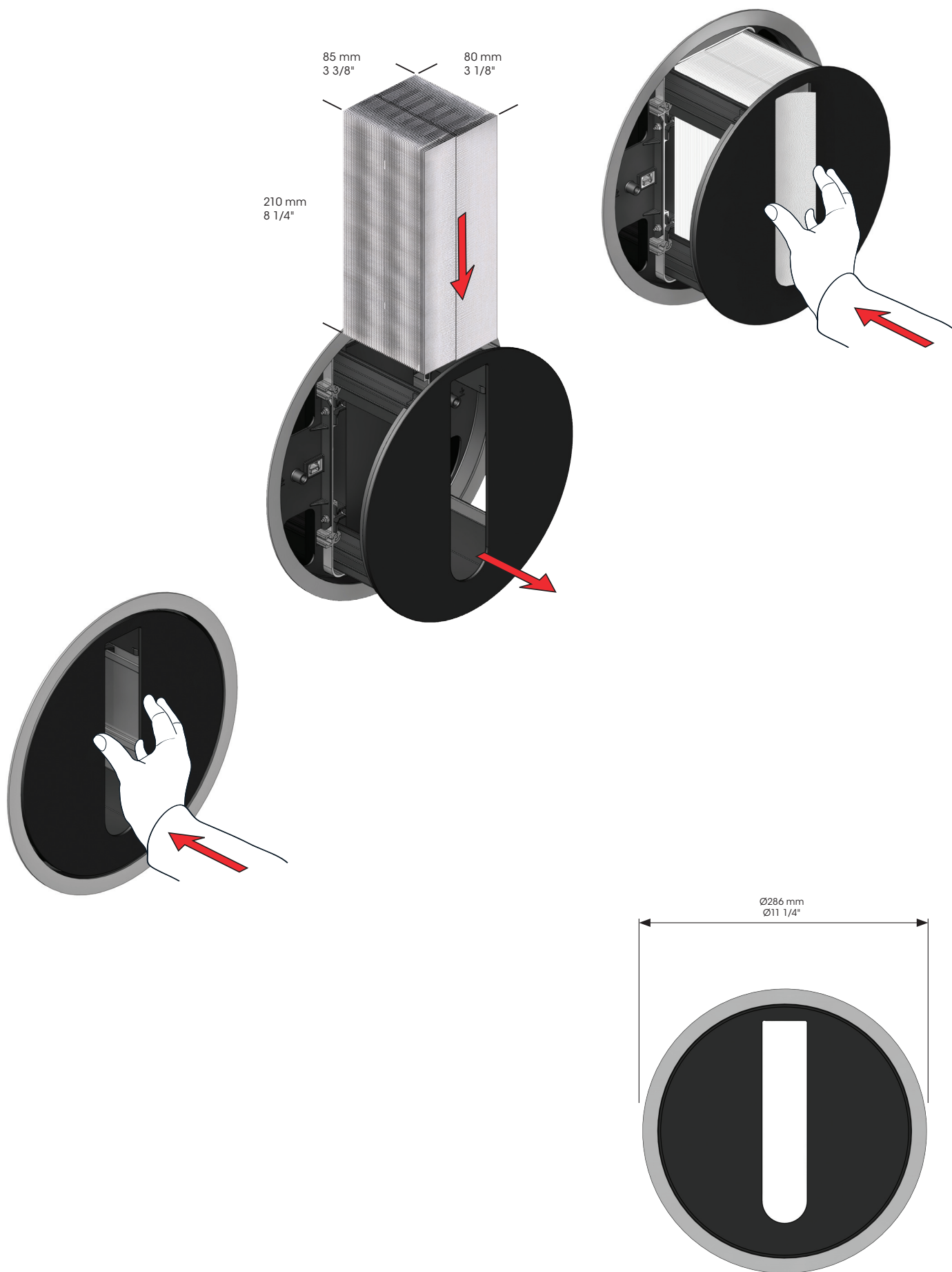


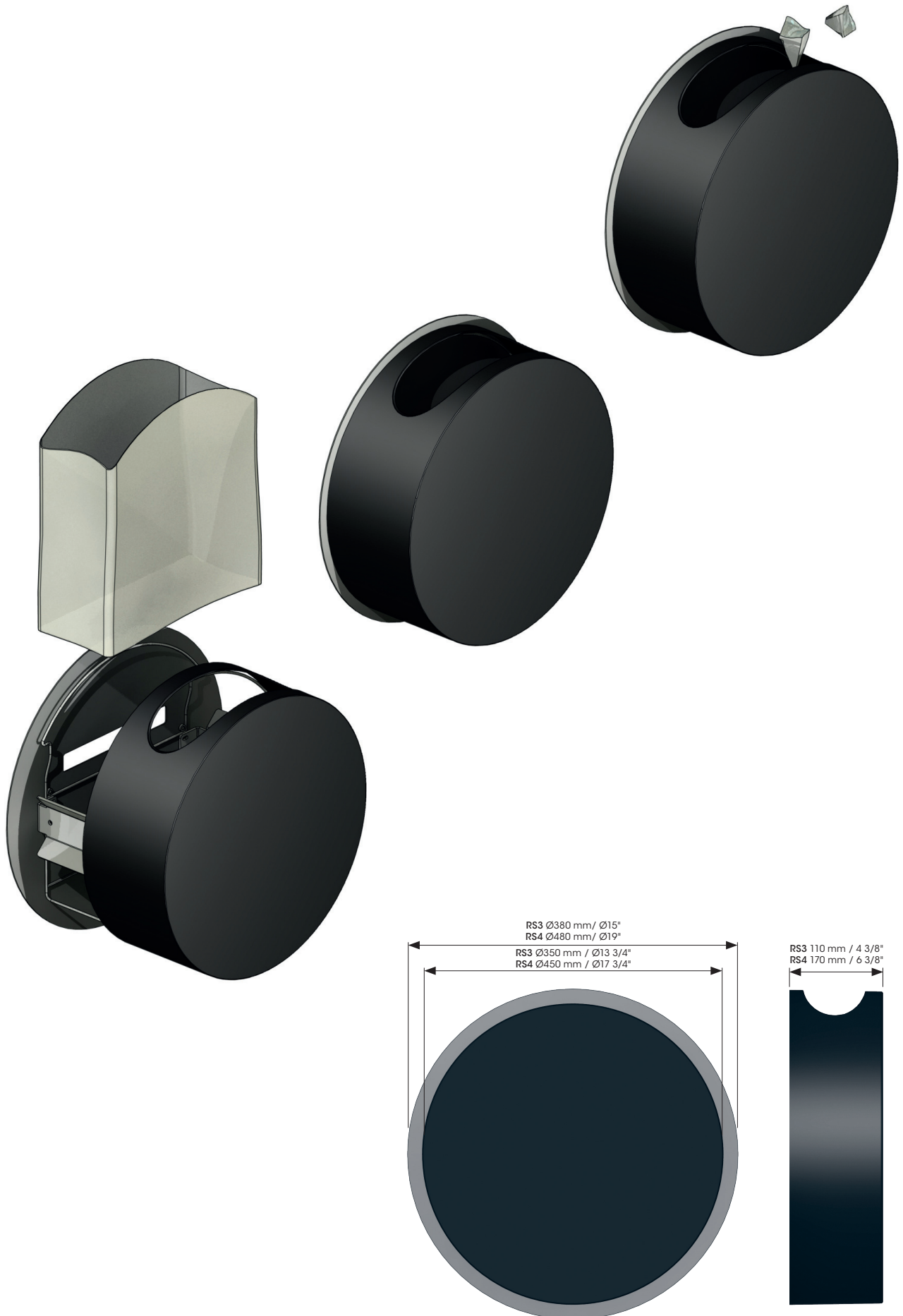
VOLA Round Series is about more than beautiful design. The technical side is just as important and the new products are classic examples of carefully prepared technical solutions. The products of VOLA Round Series are easy to install, easy to empty and easy to refill. Every detail is considered.

VOLA RS1 Built-in waste bin



VOLA RS2 Built-in paper tissue dispenser







VOLA RS1 Built-in waste bin

Built-in depth: 150 mm
Diameter including ring: 380 mm
Capacity: 2.5 Liter/20-30 tissues

- The visual part consists of:
- Ring material – High polished chrome or brushed stainless steel
 - Frontplate colour – black or white
 - Material container PC/ABS laquered



VOLA RS2 Built-in tissue dispenser

Built-in depth: 150 mm
Diameter including ring: 286 mm
Capacity: 80-100 tissues
Type: Tork, Katrin, Lotus, Abena
Size: 85 mm x 205 mm

- The visual part consists of:
- Ring material – High polished chrome or brushed stainless steel
 - Frontplate colour – black or white
 - Material container PC/ABS laquered



VOLA RS3 Retrofit waste bin

Depth: 110 mm
Diameter including ring: 380 mm
Capacity: 8 Liter/60-90 tissues

- The visual part consists of:
- Ring material – High polished chrome or brushed stainless steel
 - Surface – black or white
 - Material container PC/ABS laquered



VOLA RS4 Retrofit waste bin

Depth: 170 mm
Diameter including ring: 480 mm
Capacity: 22 Liter/150-250 tissues

- The visual part consists of:
- Ring material – High polished chrome or brushed stainless steel
 - Surface – black or white
 - Material container PC/ABS laquered

Individual design solutions

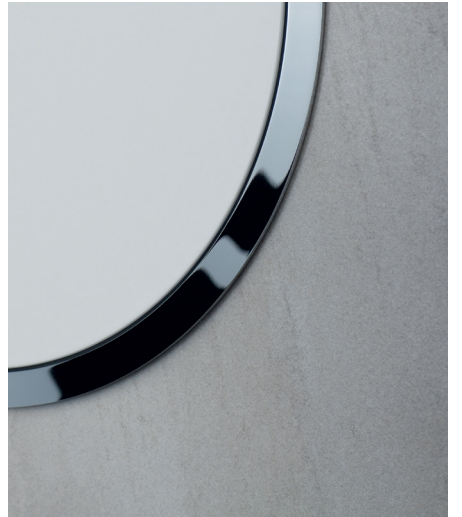
As the Round Series is a modular system the architect or interior designer can create an individual design solution adapted to the project and the needs of the building owner.

The products of the Round Series can play a discreet part in the room if the front and wall colours are the same. Depending on the wall texture and size of the room, they may also be chosen in a colour, that creates a more prominent design feature, giving the room a special character.

Material

The front of the waste bin and paper dispenser is made from a high quality PC/ABS material used in the electronic and automobile industry. It withstands humidity and is fire resistant (class UL94 VO).





VOLA, as far as the eye can see

We continually refresh our timeless design. We will never revise its classic proportions. The extended VOLA range remains true to our design principles and lasting values.

These principles and values are part of the curriculum at the VOLA Academy, where carefully selected specialist installers study every aspect of the VOLA product range and its applications. Architects and interior designers also meet at the academy to discuss common issues.



VOLA would like to thank the following locations for their co-ordination in presenting the new Round Series:

NEO Bankside, London SE1

A joint venture luxury residential development by Native Land and Grosvenor, designed by Rogers Stirk Harbour + Partners.

Blue Fin Building, London SE1

The headquarters of IPC Media designed by Allies and Morrison.

Blackall Studios, London SE2

A gallery and event space for the international art community.



VOLA UK Ltd.

Highfield House
108 The Hawthorns
Flitwick MK45 1FN
Tel.: 01525 720111
Fax: 01525 720222
sales@vola.co.uk
www.vola.co.uk

VOLA International Studio

32-36 Great Portland Street
London W1W 8QX
Tel.: 020 7580 7722
Fax: 020 7580 7733
sales@vola.co.uk
www.vola.co.uk

VOLA A/S

Lunavej 2
DK-8700 Horsens
Tel.: +45 7023 5500
Fax: +45 7023 5511
sales@vola.dk
www.vola.dk

Celebrating change. Celebrating continuity

vola®

AUSTRALIA

dedece
263 Liverpool Street
Darlinghurst
NSW 2010 Sydney
Tel: 2 9360 2722
Fax: 2 9360 9022
info@dedece.com
www.dedece.com

BELGIË

VOLA bvba
Tour & Taxis
Havenlaan 86C
1000 - Brussels
Tel: +32 2 465 96 00
Fax: +32 2 426 48 96
sales@vola.be
www.vola.be

CANADA

Ginger's Bath
95 Ronald Ave.
Toronto, Ontario
M6B 4L9
Tel: 416-787-1787
Fax: 416-787-1748
info@elte.com
www.elte.com

CHINA

VOLA Showroom
1f, No. 511
Jiangning Road
Jingan District
Shanghai 200041
Tel: +86 183 0190 6509
sales@vola.cn
www.vola.com

Euro-tech Industrial Company Limited
Shop 05, No. 600
Shaanxi Road North,
Jing An District
Shanghai 200041.
Tel: +86 21-61767550
Fax: +86 21-61767552

Badeluxe Trading Limited
B301, Tower C
COFCO Plaza
No. 8 Jian Guo Men Nei Avenue
Dong Cheng District
Beijing 100005
Tel: +86 010 6526 1363
Fax: +86 010 6526 1373
info@badeluxe.com

Shanghai Tech Pro
Office and Showroom
Building 2 Dream Wharf
1029 South Zhongshan Road
Huangpu District
Shanghai 200011
Tel: (8621) 6419 6704
Fax: (8621) 6461 1432
shanghai@viahk.biz

DANMARK

VOLA A/S
Lunavej 2
8700 Horsens
Tel: +45 70 23 55 00
Fax: +45 70 23 55 11
sales@vola.dk
www.vola.com

Pakhus 48
Klubbiensvej 22
2150 Nordhavn
Tel.: +45 7022 4570
sales@vola.dk
www.vola.com

DEUTSCHLAND

VOLA GmbH
Schwanthaler Straße 75A
80336 München
Tel: 089/599959-0
Fax: 089/599959-90
vola@vola.de
www.vola.de

ESPAÑA

DEE
Ctra. Dosrius, 69-3º-2ª
E-08440 Cardedeu
Barcelona
Tel: +34 972 10 55 35
Fax: +34 931 13 85 85
iconico@iconico.es
www.vola.es

ESTONIA

Hals Interiors OÜ
Kadaka tee 42H
12915 Tallinn
Tel: +372 7151410
Fax: +372 7151411
hals@hals.ee
www.hals.ee

FRANCE

sopha Industries
44, rue Blanche
75009 Paris
Tel: 01 42 81 25 85
Fax: 01 40 16 45 18
sopha@sopha.fr
www.sopha.fr

GREAT BRITAIN

VOLA UK Ltd.
Highfield House
108 The Hawthorns
Flitwick MK45 1FN
Tel: 01525 720111
Fax: 01525 720222
sales@vola.co.uk
www.vola.co.uk

VOLA Studio
32-36 Great Portland Street
London W1W 8QX
Tel.: 020 7580 7722
Fax: 020 7580 7733
sales@vola.co.uk
www.vola.co.uk

HELLAS

moda bagno s.a.
50 Anapafseos Street
Vrillissia 15 235, Athens
Tel: 210 8036700
Fax: 210 8049408
Fax: 210 8046987
info@modabagno.gr
www.modabagno.gr

HONG KONG

portfolio group limited
Room A, 10/F
Seabright Plaza
9-23 Shell Street
Hong Kong
Tel: 28 680 765
Fax: 25 247 887
sales@pgltd.com.hk

H2O Pro Ltd.

16/F First Commercial Building,
33 Leighton Road
Causeway Bay
Tel: 852 2891 6860
Fax: 852 2834 3029
info@h2opro.com.hk
www.ebon.com.hk

ISLAND

Tengi ehf.
Smidjuvegur 76
200 Kópavogur
Tel: 414-1000
Fax: 414-1001
www.tengi.is

ITALIA

RAPSEL Srl
Via Volta, 13
20019 Settimo Milanese (MI)
Tel: 02.33 55 981
Fax: 02.33 50 1306
rapssel@rapssel.it
www.rapssel.it

KOREA

E.L. System Co. Ltd.
Jaemyoung B/D
893-12
Bangbae 1dong
Secho-Gu
Seoul
Tel: 82-2-598-4517
Fax: 82-2-521-3786

KYPRIAKI DIMOKRATIA

S.C. Nicolaidis Ltd
3, Gregoriou Karekla str.
Strovolos
P.O. Box 21703
1512 Nicosia
Tel: 22 813 200
Fax: 22 424 803
info@oikia.com.cy

LEBANON

Geahchan Group
Sin El Fil
Geahchan Building
Hayek Round About
Beirut
Tel: 01 . 480 520
Fax: 01 . 496 607
info@geahchangroup.com
www.geahchangroup.com

MEXICO

Productos de Laton
de Alta Calidad
General Juan Cano 27
Col San Miguel Chapultepec
Mexico, D.F. 52760
Tel: 01 (65) 2614 5211
Fax: 01(65) 2614 9312
placasadecv@hotmail.com

NETHERLAND

VOLA Nederland BV
Valkenburgerstraat 23
1011 MG Amsterdam
Tel: 020 36 56 356
Fax: 020 36 56 482
info.nl@vola.com
www.vola.com

NIPPON

Cera Trading Co., Ltd
TOTO Nogizaka BLDG., 1-24-3
Minami Aoyama
Minato-ku
TOKYO 107-0062
Tel: +81-3-3402-6151
Fax: +81-3-3402-7185
www.cera.co.jp

NORGE

VOLA Showroom
shelby teknikk as
Nedre Gate 7
0551 Oslo
Tel: +47 51 46 18 00
post@shelby.no
www.vola.com

shelby teknikk as
Strandgaten 55
4370 Egersund
Tel: +47 51 46 18 00
Fax: +47 51 46 18 01
post@shelby.no
www.shelby.no

ÖSTERREICH

VOLA Vertriebs GmbH
Kandlgasse 19
1070 Wien
Tel: 01/526 39 71-0
Fax: 01/526 39 71-20
info@vola.at
www.vola.at

POLONIA

P.P.U.H. MIRAD Sp. z o.o.
ul. Armii Krajowej 21
05-480 Karczew, Poland
Tel: 22 780 6564
mirad@mirad.com.pl
www.mirad.com.pl

PORTUGAL

CARVALHO, BATISTA & Ca. Sa.
Rua do Almada
29-79-89 - Apartado 4784
4013-001 Porto
Tel: 22 339 21 26 / 7 / 9
Fax: 22 205 96 11
carvalhobatista@mail.telepac.pt
www.carvalhobatista.pt

SCHWEIZ

VOLA AG
Müllistr. 18
8320 Fehraltorf
Tel: 044/955 18 18
Fax: 044/955 18 19
sales@vola.ch
www.vola.ch

SINGAPORE

VolumeFive Pte Ltd.
51 Anson Road,
#01-53 Anson Centre,
Singapore 079904
Tel. +65 6348 2508
Fax. +65 6348 2507
sales@volumefivehome.com

SLOVENIA

Moderna d.o.o.
Jarka cesta 10b
SI-1000 Ljubljana
Tel: +386 590 200 95
Fax: +386 590 200 96
info@moderna.si
www.moderna.si

SOUTH AFRICA

Still the bathroom gallery
Unit 111A, The Foundry
74 Prestwich Str.
Green Point Cape Town
South Africa 8001
Tel: 021 421 9970/2
Fax: 021 421 9971
info@stillbathrooms.co.za
www.stillbathrooms.co.za

SUOMI

INNO-TUOTE OY
Tändennonitie 9
02240 Espoo
Tel: (0) 9 8870 380
Fax: (0) 9 8870 3833
info@inno.fi
www.inno.fi

SVERIGE

VOLA AB Showroom
Storgatan 24
114 55 Stockholm
Tel: +46 08-6602801
sales@vola.se
www.vola.se

UNITED ARAB EMIRATES

Sanipex LLC
Sheik Zayed Road
P.O. Box 30871
Dubai
Tel: 971 4 339 5660
Fax: 971 4 339 5671
www.sanipexdubai.com

UNITED STATES

Hastings Tile and Bath
711-8 Koehler Avenue
Ronkonkoma, N.Y. 11779
Tel: 631-285-3330
Fax: 631-285-3342
vola@hastingsstilebath.com
www.hastingsstilebath.com