

VOLA Hands-free Round Series  
Beautifully complete. Visibly VOLA.





**Aesthetics, innovation, functionality:  
VOLA perfection**

At VOLA we are only interested in perfection. That's why we're presenting two more products in our award-winning Round Series. The electronic hands-free soap dispenser and cistern flush. Together they make the washroom experience completely VOLA.

We believe in harmony. Each element in the VOLA Round Series relates in form and geometry to the other elements in the room. Now the smartest corporate offices, restaurants, hotel foyers, museums, galleries and concert halls can offer their washroom visitors the total versatility of VOLA.





## Purely VOLA: contact-free products

VOLA founder Verner Overgaard introduced the idea of revealing only the elegant parts of a product to the user. His designs carefully hide the mechanical parts in the wall. The result? Innovation that is both functionally efficient and aesthetically pleasing.

Our new products take the Round Series one step further. In a public space purity and hygiene are central. Like the other elements, the electronic soap dispenser and cistern flush are built-in and beautifully aligned to the wall. But they are also completely contact-free, using the latest technology to provide a totally clean and relaxing experience.







## Totally VOLA: the complete washroom

The Round Series for the luxury washroom already features the built-in waste bin and the built-in tissue dispenser. Together with the classic VOLA hands-free tap and electronic cistern flush, the new soap dispenser takes the outer circle as the core of its design and translates it into a highly innovative product.

VOLA is all about continuity. But it's also about choice. The modular nature of the VOLA washroom means customers can combine any products - choosing their finish, colour and functional details - to create a co-ordinated and cohesive space.

Whatever their combination, the complete VOLA hands-free set of products is pure, compact, water-saving and effortlessly beautiful.













## Hands-free soap dispenser: style

As a key element of the Round Series, the electronic soap dispenser is based on the soothing VOLA circle. Echoing the other products, it is aligned to the wall and the circular rim is available in several finishes: polished chrome, brushed chrome, natural brass, brushed stainless steel and 14 different colours.

Since VOLA is all about the customer, the dispenser illuminates on entry to welcome the user. Its smooth inner section comes in elegant black or white.

Polished chrome and white soap dispenser



Brushed stainless steel and black soap dispenser



## Hands-free soap dispenser: performance

For VOLA aesthetic beauty is not enough. We take pride in functional innovation too. The electronic soap dispenser is available with either liquid soap or foam. And for liquid soap there are four different pre-set soap volumes to cater for customer preference. The volume dispensed can be adjusted by maintenance staff.

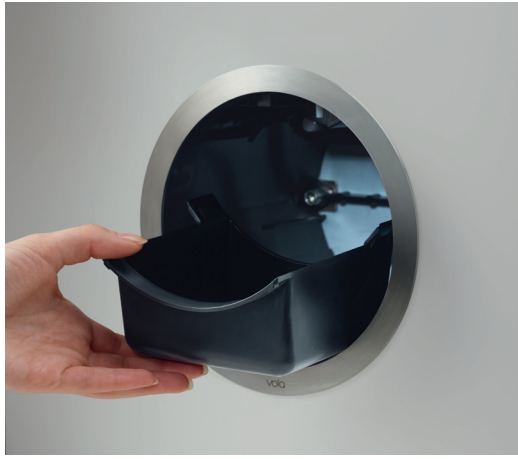
Also the sensor response distance can be adjusted by maintenance staff with the simple turning of a screw.

The dispenser's built-in design is space-saving and keeps the washroom spotless.

The soap dispenser is very easy to maintain. A colour indicator warns when a refill is needed. The refill bag (for foam soap) is simple to replace using a push release button.







Above: Easy soap refill of liquid soap

Left: A colour indicator warns when a refill is needed







VOLA 4321-16 Polished chrome hands-free tap



VOLA 4321-40 Brushed stainless steel hands-free tap

### Hands-free classic tap

No VOLA washroom is complete without the legendary VOLA tap. And since evolution is part of our culture, we have redesigned the hands-free sensor to be aligned with the wall. The new design is more responsive too. No sooner does it sense a hand under the tap than it activates the water flow. The temperature is user-friendly from the start...

Matching the Round Series products, the classic taps are available in polished chrome, brushed chrome, natural brass, brushed stainless steel and 14 different colours.





## Round tissue dispenser and waste paper bin

The existing VOLA paper tissue dispenser, RS2 and waste bin, RS1 are important elements in the Round Series executive washroom.

The paper tissue dispenser's circular rim encloses a cylinder holding the tissues. A concealed spring makes sure the tissues are always pushed to the front. The unobtrusive waste bin is opened by gently pushing the front with a hand or knee. Its mechanism is smooth and silent. The bin is simple to empty and its built-in style makes cleaning effortless.

Both products are available in black or white with outer rims in polished chrome, brushed chrome, natural brass, brushed stainless steel and 14 different colours.



## Hands-free cistern flush

Like the soap dispenser, the brand-new VOLA cistern flush is elegantly aligned to the wall and totally contact-free. Two sensors, each contained in an understated circular design, sit side by side. One for a full flush, the other for a water-saving half flush - using the classic design language half circle.

Alternatively, there is a single sensor option for full flush only.

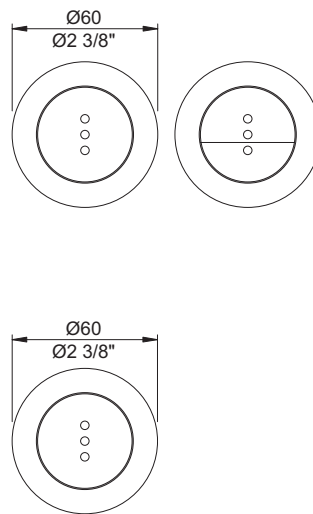
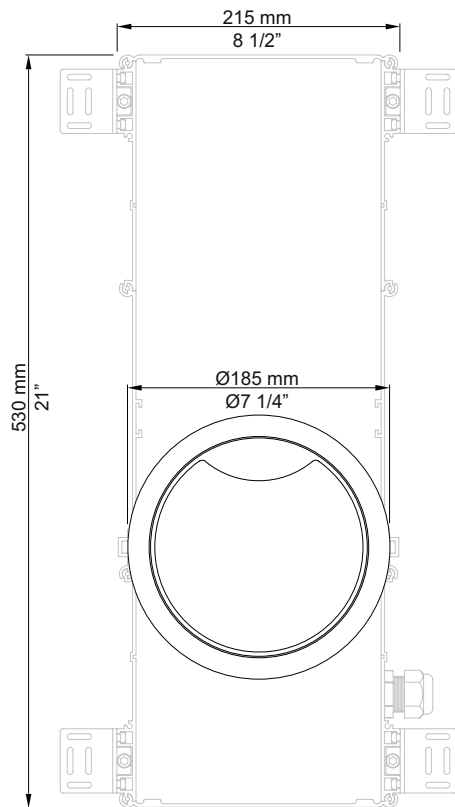
Harmonising with the other Round Series products, the cistern flush comes in polished chrome, brushed chrome, natural brass, brushed stainless steel and 14 different colours.



## Technically VOLA: simplicity itself

Since technical perfection is as important to VOLA as aesthetics, every detail is carefully thought through. Ease of installation. Hassle-free maintenance. And the simple convenience of the visitor.

For more on installation and maintenance, technical details and short videos are available on the VOLA website or via your local dealer or supplier.



### VOLA RS10 - Soap dispenser

- Built-in depth 150 mm.  
Required wall thickness of the product 12-25 mm.
- Motion sensor turns on light inside dispenser when someone approaches. Can be deactivated.
- Soap level indicator lights. (green-red)
- Supply network 110-230V. Transformer included.
- Can also be used with batteries 4 pcs. C - LR14 (1.5V) – not included. Battery level indicated.
- Vandalism protection against unintended activation.

### Liquid soap - VOLA RS10L

- Contents: 900 ml.
- Approx 1000 activations. Refillable container.
- Four pre-set soap volumes.
- Conventional liquid soaps can be used.

### Foam Soap - VOLA RS10F

- Suitable for 800 ml. and 1,100 ml. bags.
- Approx. 2,000 and 2,800 activations respectively.
- Option to dispense soap and non-alcohol disinfection agent.
- Providers Tork, TC and others.

### VOLA RS83E - Cistern flush, full and half flush

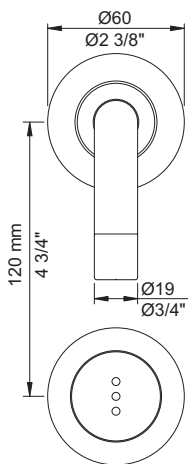
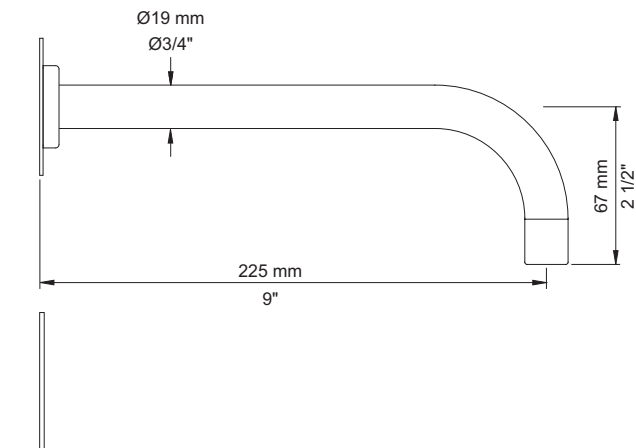
- Installable in all wall thicknesses using extensions.
- Up to 100 mm sensor range.
- Fits to Geberit UP320 cistern, Geberit power supply (115.861.00.1) (100V to 240V) and Geberit lifting device for large and small flush with motor and control (115.862.00.1) - not included.
- Outer diameter of flange = Ø60 mm
- Diameter of hole in wall = Ø46 to Ø48 mm

### VOLA RS82E - Cistern flush, full flush

- Like RS83E, but only one sensor

Available in polished chrome, brushed chrome, natural brass, brushed stainless steel and 14 different colours.

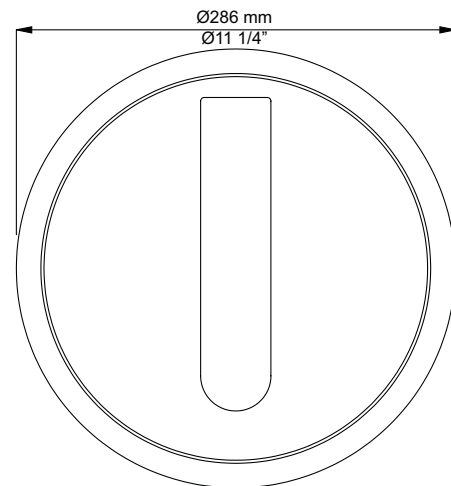
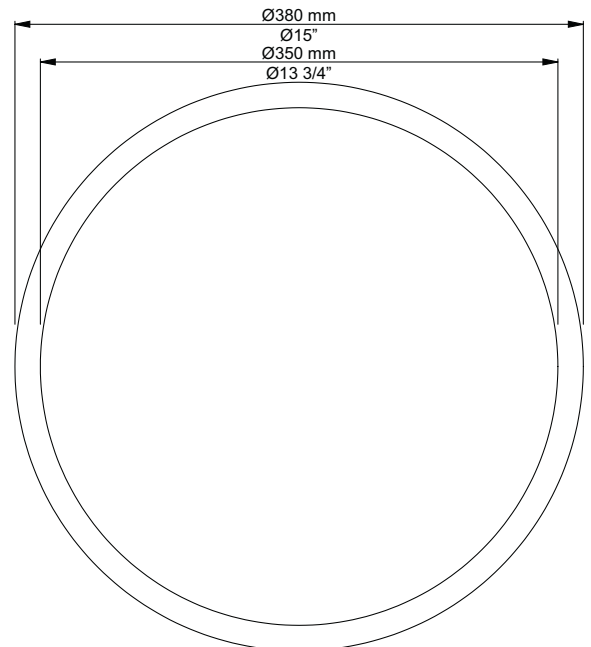




### VOLA 4321 - Hands-free classic tap and sensor

Build-in basin tap with on-off sensor for hands-free operation. Sensor aligned with wall.

Available in polished chrome, brushed chrome, natural brass, brushed stainless steel and 14 different colours.



### VOLA RS1 Built-in waste bin

- Built-in depth: 150 mm
- Diameter including ring: 380 mm
- Capacity: 2.5 Liter/20-30 tissues

The visual part consists of:

- Ring material – polished chrome, brushed chrome, natural brass, brushed stainless steel and 14 different colours.
- Frontplate colour – black or white
- Material container PC/ABS laquered

### VOLA RS2 Built-in tissue dispenser

- Built-in depth: 150 mm
- Diameter including ring: 286 mm
- Capacity: 80-100 tissues
- Type: Tork, Lotus Professional, Care Ness, Size: 85 mm x 210 mm

The visual part consists of:

- Ring material – polished chrome, brushed chrome, natural brass, brushed stainless steel and 14 different colours.
- Frontplate colour – black or white
- Material container PC/ABS laquered





## VOLA innovation: a long tradition

At VOLA we take pride in the continuity of our design language. But we also celebrate novelty and innovation with each new product. More than forty-five years since the first VOLA tap was born, our designs are still receiving recognition from the industry.

The VOLA hands-free soap dispenser and cistern flush are designed by Aarhus Arkitekterne.

## Here is a selection of our recent accolades:

- INTERIOR INNOVATION AWARD 2014  
– for the electronic soap dispenser RS10
- GERMAN DESIGN AWARD 2014 (German Design Council) – for the round head shower 060
- GOOD DESIGN AWARD 2013 (The Chicago Athenaeum: Museum of Architecture and Design) – for the round head shower 060
- GERMAN DESIGN AWARD 2013 (German Design Council) – for the built-in waste bin RS1
- GOOD DESIGN AWARD 2011 (The Chicago Athenaeum: Museum of Architecture and Design) – for the built-in waste bin RS1
- PLUS X AWARD – Best Product of the Year 2011 in its category/seals of approval in Innovation, Design and Functionality – for the Round Series
- GOOD DESIGN AWARD 2009 (The Chicago Athenaeum: Museum of Architecture and Design) – for the towel warmer T39, and the free-standing shower FS3
- GOOD DESIGN AWARD 2007 (The Chicago Athenaeum: Museum of Architecture and Design) – for the free-standing bath filler FS1

As with all our products, we offer easily accessible after sales service and support from our professionals – each of whom has been trained at our dedicated VOLA Academy or by our local representative.



VOLA Academy

**VOLA UK Ltd.**

Highfield House  
108 The Hawthorns  
Flitwick MK45 1FN  
Tel.: 01525 720111  
Fax: 01525 720222  
sales@vola.co.uk  
www.vola.co.uk

**VOLA International Studio**

32-36 Great Portland Street  
London W1W 8QX  
Tel.: 020 7580 7722  
Fax: 020 7580 7733  
sales@vola.co.uk  
www.vola.co.uk

**VOLA A/S**

Lunavej 2  
DK-8700 Horsens  
Tel.: +45 7023 5500  
Fax: +45 7023 5511  
sales@vola.dk  
www.vola.dk



Celebrating change. Celebrating continuity.

**AUSTRALIA**

dedece  
263 Liverpool Street  
Darlinghurst  
NSW 2010 Sydney  
Tel: 2 9360 2722  
Fax: 2 9360 9022  
info@dedece.com  
www.dedece.com

**BELGIË**

VOLA bvba  
Tour & Taxis  
Havenlaan 86C  
1000 - Brussels  
Tel: +32 2 465 96 00  
Fax: +32 2 426 48 96  
sales@vola.be  
www.vola.be

**CANADA**

Ginger's Bath  
95 Ronald Ave.  
Toronto, Ontario  
M6B 4L9  
Tel: 416-787-1787  
Fax: 416-787-1748  
info@elite.com  
www.elite.com

**CHINA**

VOLA Showroom  
1f, No. 511  
Jiangning Road  
Jingan District  
Shanghai 200041  
Tel: +86 183 0190 6509  
sales@vola.cn  
www.vola.com

Euro-tech Industrial Company Limited  
Shop 05, No. 600  
Shaanxi Road North,  
Jing An District  
Shanghai 200041.  
Tel: +86 21-61767550  
Fax: +86 21-61767552

Badeluxe Trading Limited  
B301, Tower C  
COFCO Plaza  
No. 8 Jian Guo Men Nei Avenue  
Dong Cheng District  
Beijing 100005  
Tel: +86 010 6526 1363  
Fax: +86 010 6526 1373  
info@badeluxe.com

Shanghai Tech Pro  
Office and Showroom  
Building 2 Dream Wharf  
1029 South Zhongshan Road  
Huangpu District  
Shanghai 200011  
Tel: (8621) 6419 6704  
Fax: (8621) 6461 1432  
shanghai@viahk.biz

**DANMARK**

VOLA A/S  
Lunavej 2  
8700 Horsens  
Tel: +45 70 23 55 00  
Fax: +45 70 23 55 11  
sales@vola.dk  
www.vola.com

Pakhus 48  
Klubensvej 22  
2150 Nordhavn  
Tel.: +45 7022 4570  
sales@vola.dk  
www.vola.com

**DEUTSCHLAND**

VOLA GmbH  
Schwanthaler Straße 75A  
80336 München  
Tel: 089/599959-0  
Fax: 089/599959-90  
vola@vola.de  
www.vola.de

**ESPAÑA**

DEE  
Ctra. Dosrius, 69-3º-2ª  
E-08440 Cardedeu  
Barcelona  
Tel: +34 972 10 55 35  
Fax: +34 931 13 85 85  
iconico@iconico.es  
www.vola.es

**ESTONIA**

Hals Interiors OÜ  
Kadaka tee 42H  
12915 Tallinn  
Tel: +372 7151410  
Fax: +372 7151411  
hals@hals.ee  
www.hals.ee

**FRANCE**

sopha industries  
44, rue Blanche  
75009 Paris  
Tel: 01 42 81 25 85  
Fax: 01 40 16 45 18  
sopha@sopha.fr  
www.sopha.fr

**GREAT BRITAIN**

VOLA UK Ltd.  
Highfield House  
108 The Hawthorns  
Flitwick MK45 1FN  
Tel: 01525 720111  
Fax: 01525 720222  
sales@vola.co.uk  
www.vola.co.uk

VOLA Studio  
32-36 Great Portland Street  
London W1W 8QX  
Tel.: 020 7580 7722  
Fax: 020 7580 7733  
sales@vola.co.uk  
www.vola.co.uk

**HELLAS**

moda bagno s.a.  
50 Anapafseos Street  
Vriliisia 15 235, Athens  
Tel: 210 8036700  
Fax: 210 8049408  
Tel: 210 804698  
info@modabagno.gr  
www.modabagno.gr

**HONG KONG**

portfolio group limited  
Room A, 10/F,  
Seabright Plaza  
9-23 Shell Street  
Hong Kong  
Tel: 28 680 765  
Fax: 25 247 887  
sales@pgltd.com.hk

**H2O Pro Ltd.**

16/F First Commercial Building,  
33 Leighton Road  
Causeway Bay  
Tel: 852 2891 6860  
Fax: 852 2834 3029  
info@h2opro.com.hk  
www.ebon.com.hk

**ISLAND**

Tengi ehf.  
Smiðjuvegur 76  
200 Kópavogur  
Tel: 414-1000  
Fax: 414-1001  
www.tengi.is

**ITALIA**

RAPSEL Srl  
Via Volta, 13  
20019 Settimo Milanese (MI)  
Tel: 02.33 55 981  
Fax: 02.33 50 1306  
rapssel@rapssel.it  
www.rapssel.it

**KOREA**

E.L. System Co. Ltd.  
Jaemyoung B/D  
893-12  
Bangbae 1dong  
Seocho-Gu  
Seoul  
Tel: 82-2-598-4517  
Fax: 82-2-521-3786

**KYPRIAKI DIMOKRATIA**

S.C. Nicolaidis Ltd.  
3, Gregoriou Karekla str.  
Strovolos  
P.O. Box 21703  
1512 Nicosia  
Tel: 22 813 200  
Fax: 22 424 803  
info@oikia.com.cy

**LEBANON**

Geahchan Group  
Sin El Fil  
Geahchan Building  
Hayek Round About  
Beirut  
Tel: 01. 480 520  
Fax: 01. 496 607  
info@geahchangroup.com  
www.geahchangroup.com

**MEXICO**

Productos de Laton de Alta Calidad  
General Juan Cano 27  
Col San Miguel Chapultepec  
Mexico, D.F. 52760  
Tel: 01 (55) 2614 5211  
Fax: 01 (55) 2614 9312  
placsadecv@hotmail.com

**NEDERLAND**

VOLA Nederland BV  
Valkenburgerstraat 23  
1011 MG Amsterdam  
Tel: 020 36 56 356  
Fax: 020 36 56 482  
info.nl@vola.com  
www.vola.com

**NIPPON**

Cera Trading Co., Ltd  
TOTO Nogizaka BLDG., 1-24-3  
Minami Aoyama  
Minato-ku  
TOKYO 107-0062  
Tel: +81-3-3402-6151  
Fax: +81-3-3402-7185  
www.cera.co.jp

**NORGE**

VOLA Showroom  
shelby teknikk as  
Nedre Gate 7  
0551 Oslo  
Tel: +47 51 46 18 00  
post@shelby.no  
www.vola.com

**shelby teknikk as**

Strandgaten 55  
4370 Egersund  
Tel: +47 51 46 18 00  
Fax: +47 51 46 18 01  
post@shelby.no  
www.shelby.no

**ÖSTERREICH**

VOLA Vertriebs GmbH  
Kandlgasse 19  
1070 Wien  
Tel: 01/526 39 71-0  
Fax: 01/526 39 71-20  
info@vola.at  
www.vola.at

**POLONIA**

P.P.U.H. MIRAD Sp. z o.o.  
ul. Armii Krajowej 21  
05-480 Karczew, Poland  
Tel: 22 780 6564  
mirad@mirad.com.pl  
www.mirad.com.pl

**PORTUGAL**

CARVALHO, BATISTA & Ca, Sa.  
Rua do Almada  
29-79-89 - Apartado 4784  
4013-001 Porto  
Tel: 22 339 21 26 / 7 / 9  
Fax: 22 205 96 11  
carvalhobatista@mail.telepac.pt  
www.carvalhobatista

**SCHWEIZ**

VOLA AG  
Mülistr. 18  
8320 Fehraltorf  
Tel: 044 / 955 18 18  
Fax: 044 / 955 18 19  
sales@vola.ch  
www.vola.ch

**SINGAPORE**

VolumeFive Pte Ltd.  
51 Anson Road,  
#01-53 Anson Centre,  
Singapore 079904  
Tel: +65 6348 2508  
Fax: +65 6348 2507  
sales@volumefivehome.com

**SLOVENIA**

Moderna d.o.o.  
Jarška cesta 10b  
SI-1000 Ljubljana  
Tel: +386 590 200 95  
Fax: +386 590 200 96  
info@moderna.si  
www.moderna.si

**SOUTH AFRICA**

Still the bathroom gallery  
Unit 111A, The Foundry  
74 Prestwich Str.  
Green Point Cape Town  
South Africa 8001  
Tel: 021 421 9970/2  
Fax: 021 421 9971  
info@stillbathrooms.co.za  
www.stillbathrooms.co.za

**SUOMI**

INNO-TUOTE OY  
Tähtenlentontie 9  
02240 Espoo  
Tel: (0) 9 8870 380  
Fax: (0) 9 8870 3833  
info@inno.fi  
www.inno.fi

**SVERIGE**

VOLA AB Showroom  
Storgatan 24  
114 55 Stockholm  
Tel: +46 08-6602801  
sales@vola.se  
www.vola.se

**UNITED ARAB EMIRATES**

Sanipex LLC  
Sheik Zayed Road  
P.O. Box 30871  
Dubai  
Tel: 971 4 339 5660  
Fax: 971 4 339 5671  
www.sanipexdubai.com

**UNITED STATES**

Hastings Tile and Bath  
711-8 Koehler Avenue  
Ronkonkoma, N.Y. 11779  
Tel: 631-285-3330  
Fax: 631-285-3342  
vola@hastingstilebath.com  
www.hastingstilebath.com