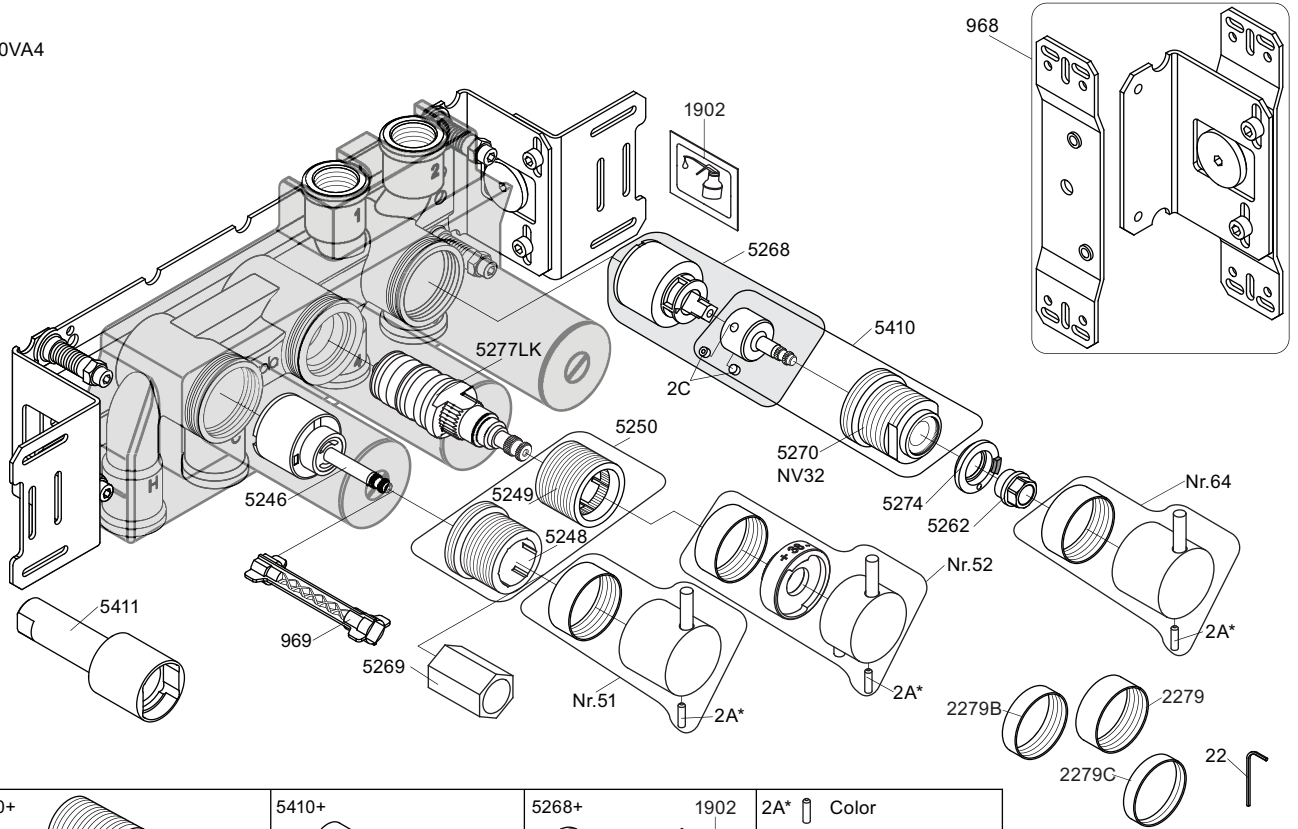
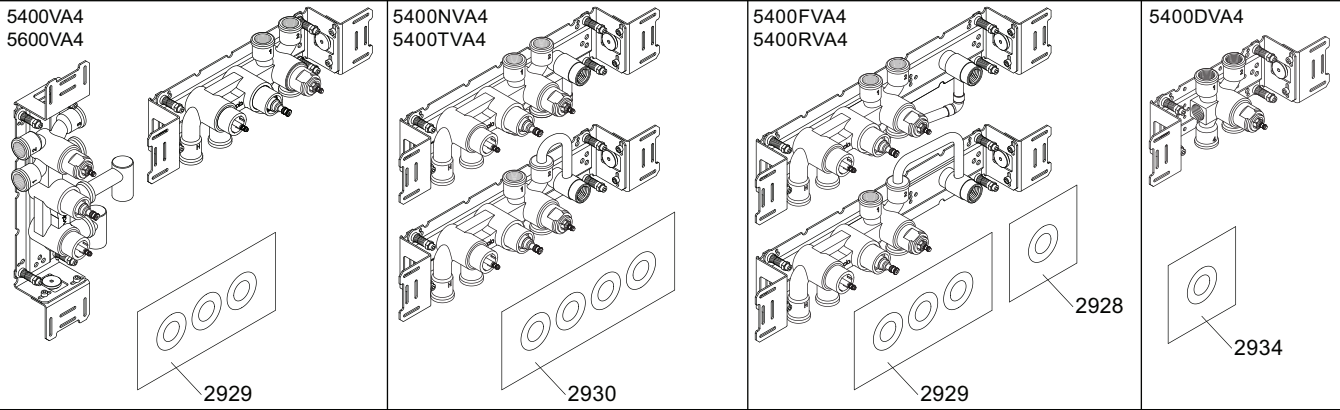


5400VA4



<p>5250+</p>	<p>5410+</p>	<p>5268+</p>	<p>2A* Color</p> <p>VR2A-Steel: Standard VR2A-F60: F17-F27-F60 VR2A-F63: F63-F64 VR2A-F65: F19-F59-F70</p>
--------------	--------------	--------------	--

<p>NR51:</p>	<p>VR5251, VR2279+B+C, VR2A</p>
<p>NR52:</p>	<p>VR5252, VR5253, VR5255, VR5256, VR2279+B+C, VR3113, VR2A</p>
<p>NR64:</p>	<p>VR5251, VR2279+B+C, VR2A</p>
<p>VR5250+:</p>	<p>VR5248+, VR5249+, VR5257, VR5258, VR5259, VR5260</p>
<p>VR5257+:</p>	<p>VR5257+, VR5259+</p>
<p>VR5258+:</p>	<p>VR5258+, VR5260+</p>
<p>VR5268+:</p>	<p>2xVR2C, VR1902, VR5268</p>
<p>VR5410+:</p>	<p>2xVR2C, VR5270+</p>



<p>5003B</p>	<p>5004B</p>	<p>5004L</p>	
<p>3x2001</p>	<p>3x2001, 001</p>	<p>3x2001, 001</p>	<p>2001</p>

<p>vola Lunavej 2 DK-8700 Horsens Tlf : + 45 7023 5500 sales@vola.com www.vola.com</p>	<p>VOLA 5400VA4 5400FVA4, 5400NVA4 5400RVA4, 5400TVA4 5600VA4</p>	<p>Date Jun. 20</p>
		<p>Rev. 5</p>
		<p>Sheet SB 10.54</p>